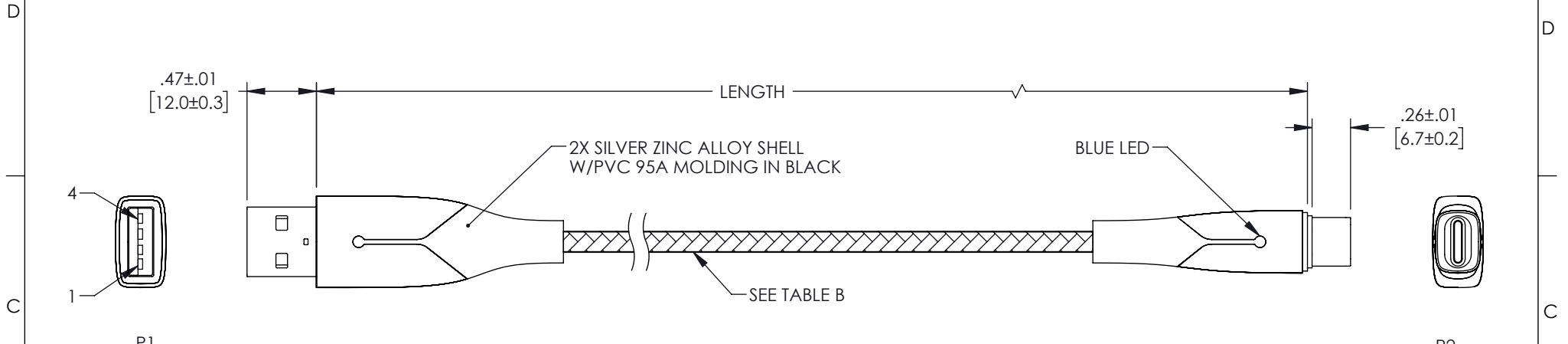


THE INFORMATION CONTAINED IN THIS DRAWING IS THE SOLE PROPERTY OF SHOW ME CABLES, INC. ANY REPRODUCTION IN PART OR WHOLE WITHOUT THE WRITTEN PERMISSION OF SHOW ME CABLES, INC. IS PROHIBITED.

REVISIONS			
REV	DESCRIPTION	DATE	APPROVED
A	INITIAL RELEASE	7/14/2022	DGUITADAURO



P1
USB 2.0 A MALE
CONNECTOR

P2
USB 2.0 C MALE
CONNECTOR


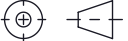
TABLE B	
LENGTH	CABLE
1M	30AWG(11/0.08TC*1P)+24AWG(46/0.08TC*2C), JACKET: BLACK PVC WITH BLACK COTTON BRAID
2M	30AWG(11/0.08TC*1P)+22AWG(43/0.10TC*2C), JACKET: BLACK PVC WITH BLACK COTTON BRAID
3M	30AWG(11/0.08TC*1P)+20AWG(60/0.10TC*2C), JACKET: BLACK PVC WITH BLACK COTTON BRAID

P1	P2
1	1
2	2
3	3
4	4

PART NUMBER	LENGTH	
	FEET	METERS
CAUCA2LED-MM-1M	3.28	1.0±.02
CAUCA2LED-MM-2M	6.56	2.0±.03
CAUCA2LED-MM-3M	9.84	3.0±.03

- NOTES:
- CABLE ASSEMBLY SHALL MEET USB 2.0 REQUIREMENTS.
 - CABLE ASSEMBLY SHALL BE TESTED FOR CONTINUITY.
 - CABLE ASSEMBLY SHALL BE INDIVIDUALLY PACKAGED IN A POLYBAG.

REGULATORY COMPLIANCE:
EU RoHS DIRECTIVE (MOST RECENT RELEASED VERSION)

UNLESS OTHERWISE SPECIFIED, DIMENSIONS ARE IN INCHES [mm]	APPROVALS	DATE	 115 Chesterfield Industrial Blvd., Chesterfield, MO 63005 Phone: 1.888.519.9505 Fax: 1.888.519.9515
	OVERALL CABLE LENGTH TOLERANCE: ≤12 [305] = +1 [25] / -0 >12 [305] ≤60 [1524] = +2 [51] / -0 >60 [1524] ≤120 [3048] = +4 [102] / -0 >120 [3048] ≤300 [7620] = +6 [152] / -0 >300 [7620] = +5% / -0	DRAWN BY DMAY	
ALL OTHER DIMENSIONAL TOLERANCES: .X = ± .2 [5] FRACTIONS ± 1/32 .XX = ± .02 [5] ANGLES ± 1° .XXX = ± .005 [13]	CHECKED BY HBAKKE	7/13/2022	CATEGORY USB
	APPROVED BY DGUITADAURO	7/14/2022	PRODUCT DESCRIPTION USB2.0 LED A MALE TO C MALE CABLE WITH COTTON BRAID
THIRD-ANGLE PROJECTION 	CONFIGURATION DETAILS OF UNDIMENSIONED FEATURES MAY VARY	COLOR VARIATIONS MAY OCCUR	SIZE A CAGE CODE 3SVT8 ITEM NO. CAUCA2LED-MM REV. A
SCALE: NONE		CAD FILE: CAUCA2LED-MM.SLDDRW	SHEET 1 OF 1