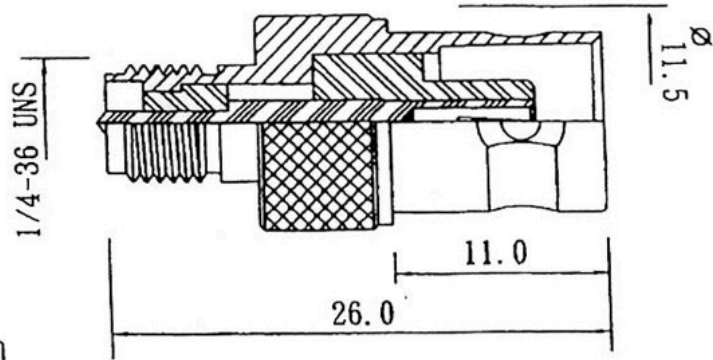


# Show Me CABLES

REVISIONS				
ZONE	REV	DESCRIPTION	DATE	APPROVED



Impedance	50 $\Omega$
Frequency range	0 to 18 GHz
Voltage rating	RG-55, 58, 141, 142, 223, 303: 500 volts peak RG-122, 174, 188, 316, 375: 375 volts peak
VSWR (straight connectors)	RG-55 group: 1.15+0.011(GHz) RG-178 group: 1.20+0.251(GHz)
Contact resistance	Center: 2.0 miliohms    Body: 2.0 miliohms Braid to body: 0.5 miliohms
Insulation resistance	5000 M $\Omega$
Insertion loss	0.03 $\sqrt{f}$ (GHz) dB max

## SMA JACK(R/P)-BNC JACK

Insulator	Teflon	White
Contact	Brass	Gold
Body	Brass	Nickel
Description	Material	Finish

BY	DATE		
DRAWN			
CHK'D			
APPRV		PART NO	
MATERIAL	SEE NOTES		
FINISH	SEE NOTES	UNITS	SHEET
		mm	1 OF 1
		SCALE	NONE