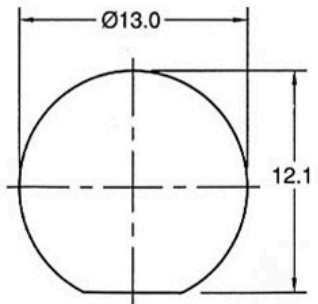
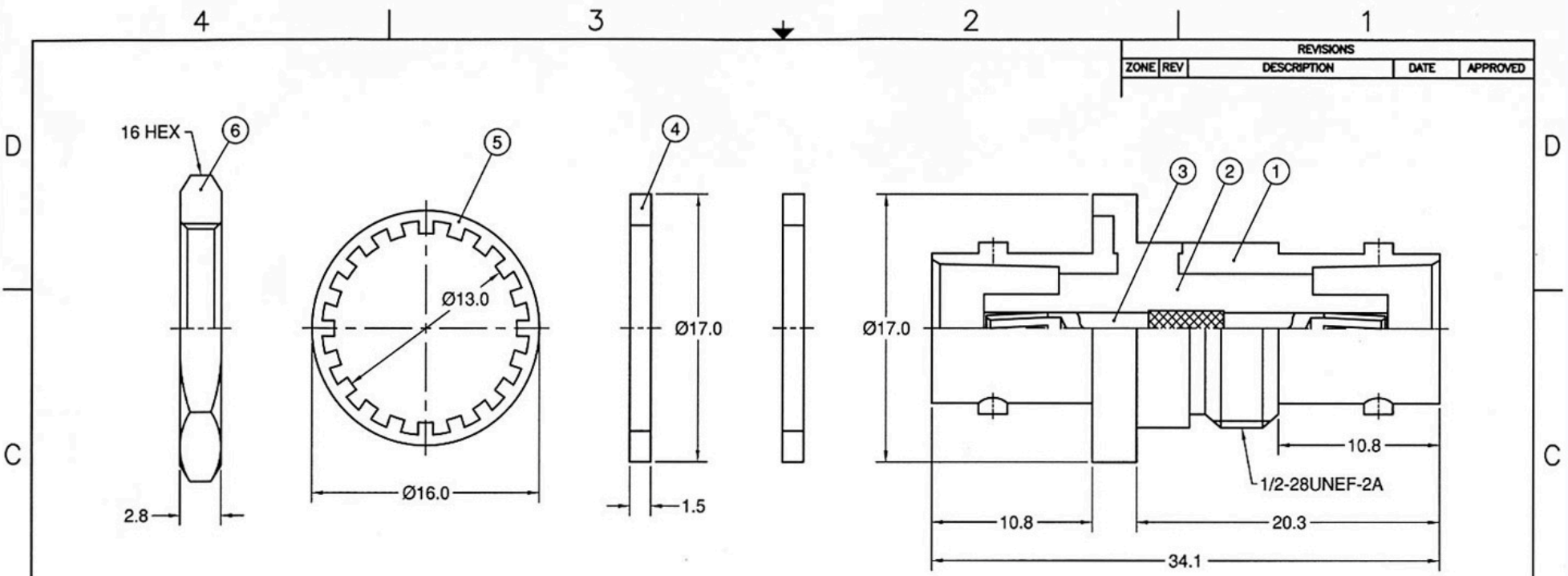


REVISIONS				
ZONE	REV	DESCRIPTION	DATE	APPROVED



RECOMMENDED MOUNTING HOLE

NOTES: FINISH (PLATING THICKNESS IN MICRO-INCHES)  
 1. NICKEL PL. 100 MIN. THICK OVER COPPER STRIKE.  
 2. GOLD PL. 3 MIN. THICK OVER NICKEL PL. 100 MIN. THICK OVER COPPER STRIKE.

NO.	DESCRIPTION	MATERIAL	FINISH	QTY.
6	HEX NUT	BRASS	NOTE 1	1
5	LOCK WASHER	BRASS	NOTE 1	1
4	WASHER	PBT	WHITE	2
3	CONTACT PIN	PHOSPHOR BRONZE	NOTE 2	1
2	INSULATOR	PBT	WHITE	1
1	BODY	BRASS	NOTE 1	1

BILL OF MATERIALS

BY	DATE	PART NO
DRAWN JN	05/21/02	
CHK'D IC	06/03/02	
APPRV		
MATERIAL	SEE NOTES	
FINISH	SEE NOTES	UNITS mm
		SCALE NONE
		SHEET 1 OF 1

**Show Me**  
CABLES