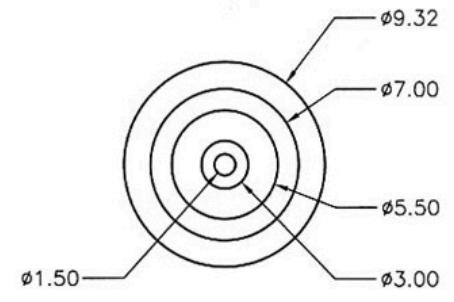
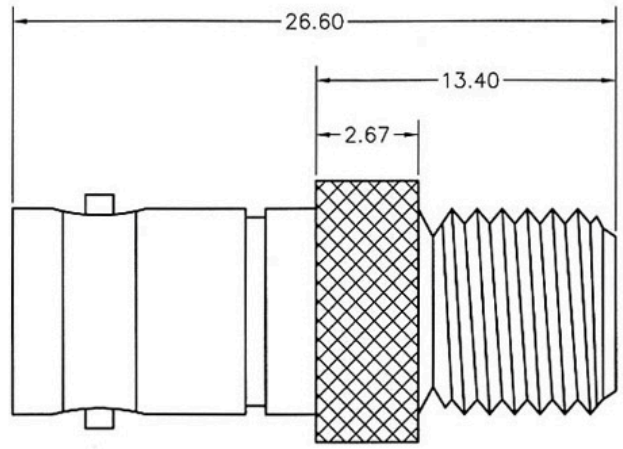
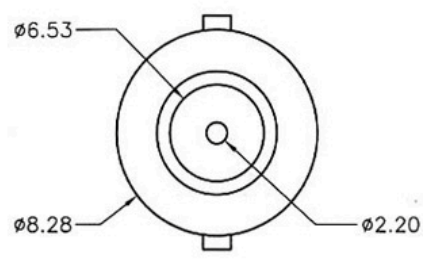


REVISIONS				
ZONE	REV	DESCRIPTION	DATE	APPROVED



Show Me
CABLES

BY	DATE		
DRAWN TN	01/18/01		
CHK'D			
APPRV		PART NO	
MATERIAL	SEE NOTES		
FINISH	SEE NOTES	UNITS	SHEET
		mm	1 OF 1
		SCALE	NONE