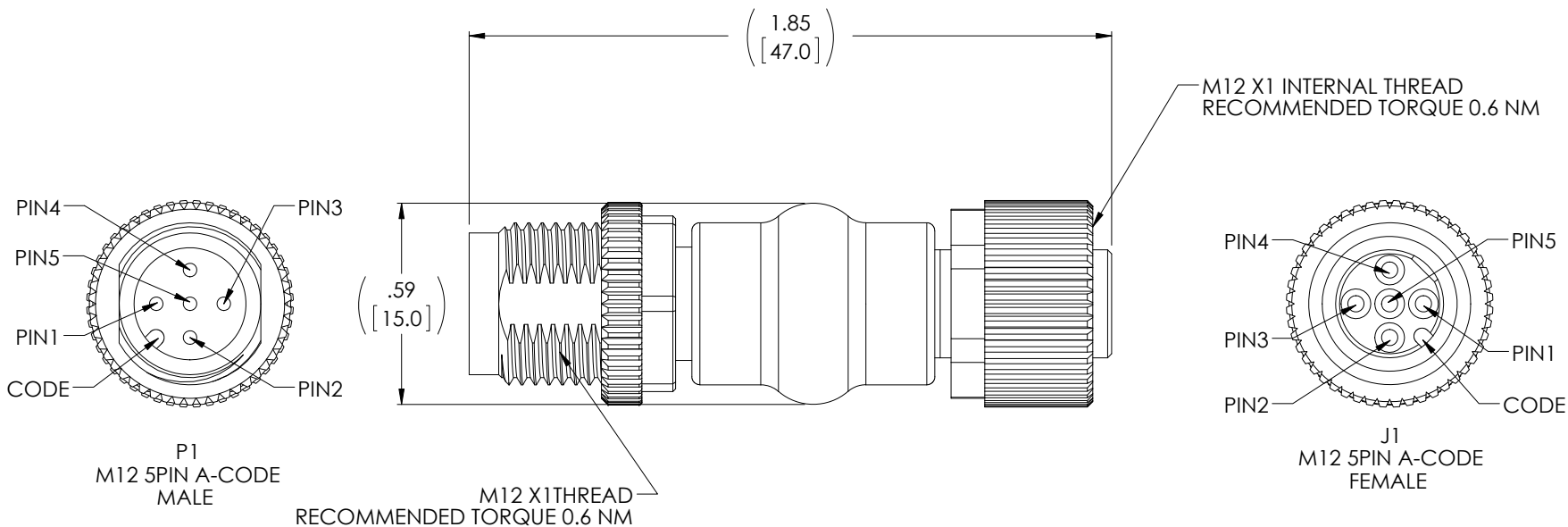
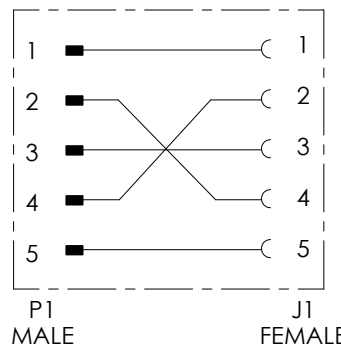


THE INFORMATION CONTAINED IN THIS DRAWING IS THE SOLE PROPERTY OF L-COM, INC. ANY REPRODUCTION IN PART OR WHOLE WITHOUT THE WRITTEN PERMISSION OF L-COM, INC. IS PROHIBITED.

REVISIONS			
REV	DESCRIPTION	DATE	APPROVED
A	INITIAL RELEASE PER DUSTIN GUTTADAURO	04/03/17	J.LABOY



WIRING MAP



NOTES:

MECHANICAL DATA

- HOUSING: M12 MALE TO FEMALE, 5 POLE, A-CODE
- MATERIAL: PUR,ZINC DIE CASTING, MATTE NICKEL PLATED
- PROTECTION: IP67 (WHEN MATED AND TIGHTENED, EN60529)
- TEMP RANGE: -25°C TO +85°C

MISCELLANEOUS

- NOMINAL VOLTAGE: MAX 24V AC/DC
- RATED CURRENT: MAX 4A PER CONTACT

REGULATORY COMPLIANCE:

CE 2011/65/EU(ROHS DIRECTIVE)

UNLESS OTHERWISE SPECIFIED, DIMENSIONS ARE IN INCHES [mm] OVERALL CABLE LENGTH TOLERANCE: ≤12 [305] = +1 [25] / -0 >12 [305] ≤60 [1524] = +2 [51] / -0 >60 [1524] ≤120 [3048] = +4 [102] / -0 >120 [3048] ≤300 [7620] = +6 [152] / -0 >300 [7620] = +5% / -0%	APPROVALS	DATE		50 HIGH STREET NORTH ANDOVER, MA 01845		
	DRAWN BY D.CUI	03/31/17				
ALL OTHER DIMENSIONAL TOLERANCES: .X = ± .2 [5.08] .XX = ± .02 [1.51] .XXX = ±.005 [1.3]	CHECKED BY B.ZHANG	03/31/17	CATEGORY TELECOM/MODULAR			
	APPROVED BY S.PAN	03/31/17	PRODUCT DESCRIPTION ADAPTOR M12 MALE 5P / M12 FEMALE 5P			
PROJECTION 	CONFIGURATION DETAILS OF UNDIMENSIONED FEATURES MAY VARY	COLOR VARIATIONS MAY OCCUR	SIZE A	FSCM NO. 43321	DWG. NO. ADPT-M125A-MF	REV. A
			SCALE: NONE	CAD FILE: ADPT-M125A-MF.SLDDRW	SHEET 1 OF 1	