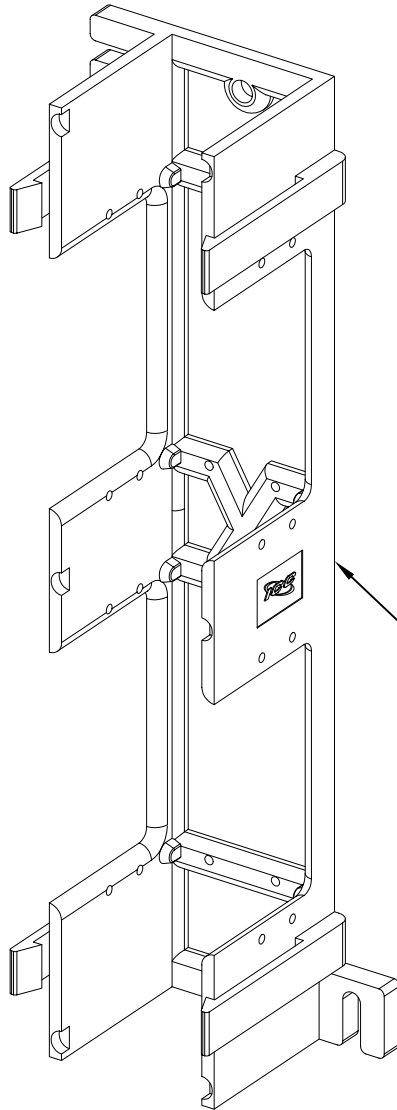


89U Universal Mounting Bracket

PRODUCT SPECIFICATION

Package includes:

A. 89U Universal Mounting Bracket, 1 pc



89U Universal Mounting Bracket

Features and Benefits:

- Designed for wall mounting
- Used with ICMPPT CAT 5e/CAT 6 vertical patch panels, IC107 vertical blank patch panels, and IC066NB050 66 wiring blocks
- UL listed

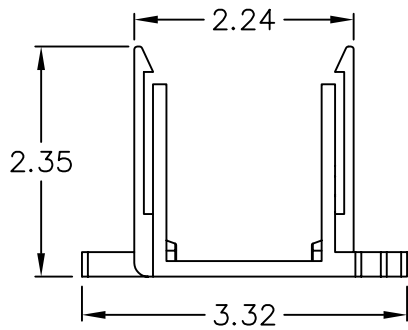
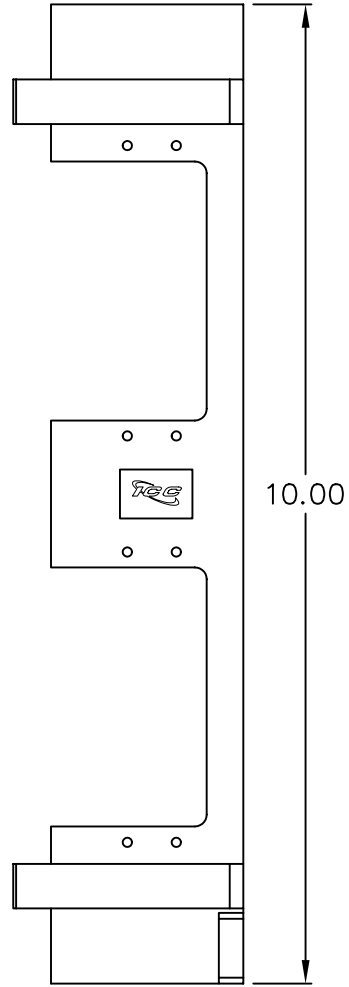
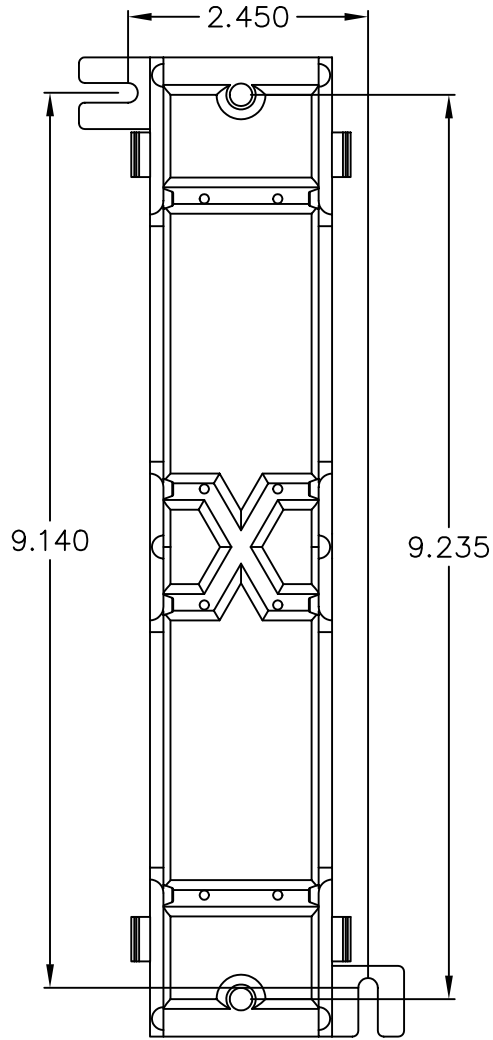
89U MOUNTING BRACKET, UNIVERSAL

ITEM NO.	ICMB89U0WH
DWG NO.	PSMB89U0WH

REV.	A
PAGE NO.	1




CUSTOMER CARE / TECHNICAL SUPPORT * CSR@ICC.COM / 888-ASK-4-ICC (275-4422) * 14700 Alondra Blvd., La Mirada, CA 90638 * www.icc.com



NOTE: UNLESS OTHERWISE SPECIFIED

1. MATERIAL: ABS, UL 94V-2
2. COLOR: WHITE

UL US FILE NO. 125268

89U MOUNTING BRACKET, UNIVERSAL		 <i>PremiumProducts</i> <i>ProvenPerformance</i> <i>CompetitivePrices</i>
ITEM NO.	ICMB89U0WH	
DWG NO.	PSMB89U0WH	PAGE NO. 2

CUSTOMER CARE / TECHNICAL SUPPORT * CSR@ICC.COM / 888-ASK-4-ICC (275-4422) * 14700 Alondra Blvd., La Mirada, CA 90638 * www.icc.com