

6

5

4

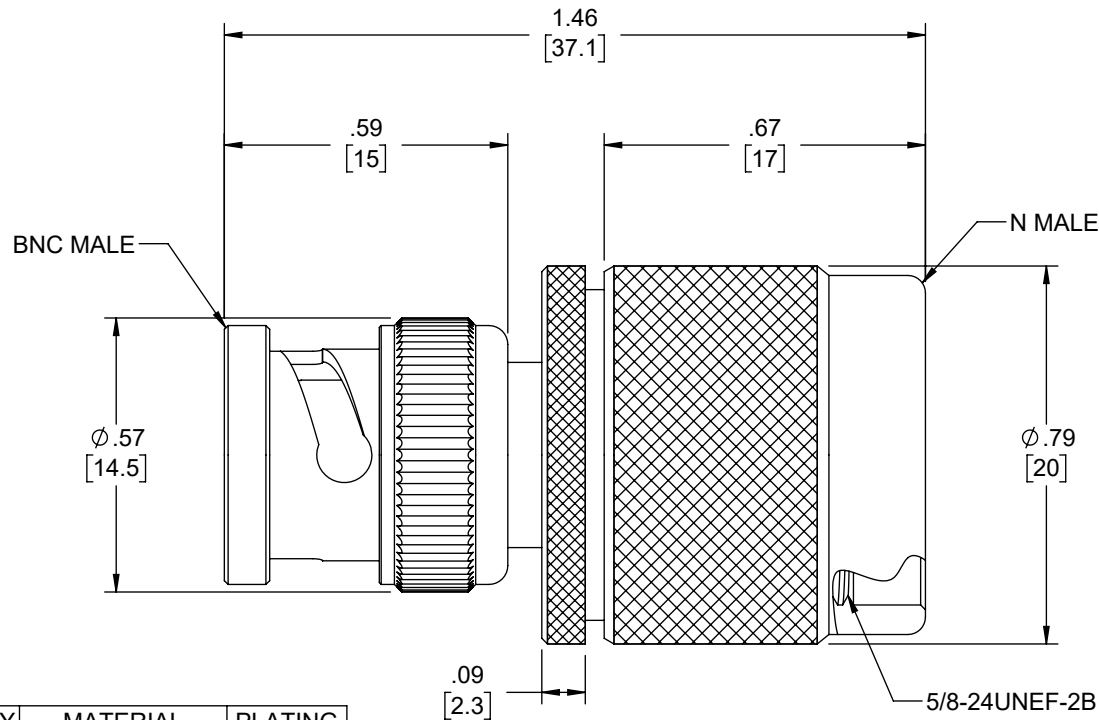
3

2

1

REVISION

ZONE	REV	DESCRIPTION	DATE	CHANGED BY	APPROVED
	A	ECO-15748	04/22/2026	HBAKKE	DWANG



NO	DESCRIPTION	QTY	MATERIAL	PLATING
1	BODY 1	1	BRASS	NICKEL
2	BODY 2	1	BRASS	NICKEL
3	DIELECTRIC 1	1	TEFLON	-
4	DIELECTRIC 2	1	TEFLON	-
5	CENTER PIN	1	BRASS	GOLD
6	RETAINING RING	1	BRASS	NICKEL
7	GASKET	1	RUBBER	-
8	PRESS FIT GROUND RING	1	BRASS	NICKEL
9	SHELL	1	BRASS	NICKEL
10	SHELL	1	BRASS	NICKEL
11	WASHER	1	BRASS	NICKEL
12	WASHER	1	CARBON STEEL	NICKEL
13	RETAINING RING	1	BRASS	NICKEL
14	GASKET	1	RUBBER	-

UNLESS OTHERWISE SPECIFIED  
LEADING DIMENSIONS ARE INCHES  
DIMENSIONS IN [ ] ARE MILLIMETERS

TOLERANCES:  
 X = ±.2 [5]      FRACTIONS ± 1/32  
 .XX = ±.02 [0.5]      ANGLES ± 1°  
 .XXX = ±.005 [0.13]

CABLE LENGTH TOLERANCES:  
 ≤12 [305] = +1 [25] / -0  
 >12 [305] ≤ 60 [1524] = +2 [51] / -0  
 >60 [1524] ≤ 120 [3048] = +4 [102] / -0  
 >120 [3048] ≤ 300 [7620] = +6 [152] / -0  
 >300 [7620] = +5% / -0

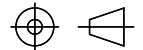
CABLE LENGTH TOL IAW IPC A-620

ALL DIMENSIONS ARE FOR REFERENCE ONLY  
AND SUBJECT TO CHANGE WITHOUT NOTICE  
UN-DIMENSIONED/NON-CRITICAL FEATURES  
MAY VARY IN SIZE AND LOCATION  
COLORS MAY VARY

**Show Me**  
CABLES

an INFINIT® company

Website: [www.ShowMeCables.com](http://www.ShowMeCables.com)  
Phone: 1.888.519.9505



INTERPRET ALL DIMENSIONS AND  
TOLERANCES PER ASME Y14.5

SCALE

NONE

SHEET

1 OF 1

DESCRIPTION

BNC MALE TO N MALE ADAPTER

SIZE

A

CAGE CODE

3SVT8

DRAWN BY

HBAKKE

ITEM NO.

870

REV

A

THE INFORMATION CONTAINED IN THIS DRAWING IS THE SOLE PROPERTY OF INFINITE ELECTRONICS, INC. ANY REPRODUCTION IN PART OR WHOLE WITHOUT THE WRITTEN PERMISSION OF INFINITE ELECTRONICS, INC. IS PROHIBITED. THESE COMMODITIES, TECHNOLOGY OR SOFTWARE WERE EXPORTED FROM THE UNITED STATES IN ACCORDANCE WITH THE EXPORT ADMINISTRATION REGULATIONS. DIVERSION CONTRARY TO U.S. LAW PROHIBITED.

6

5

4

3

2

1