

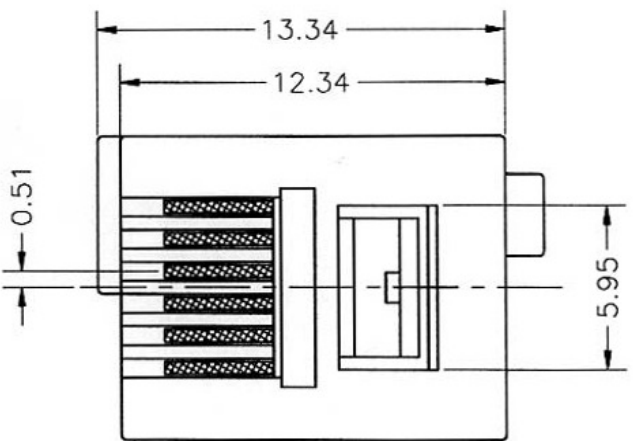
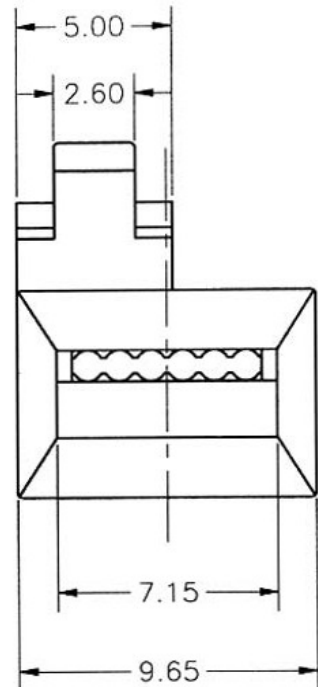
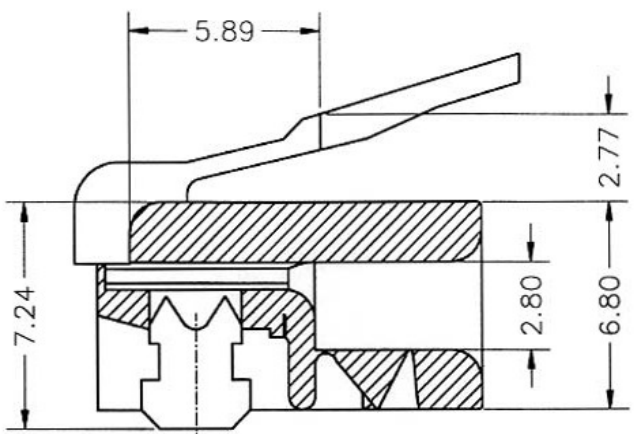
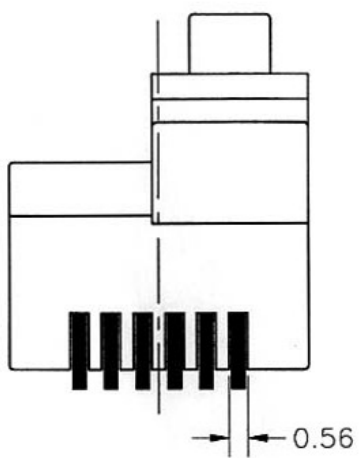
4


3

2

1

REVISIONS				
ZONE	REV	DESCRIPTION	DATE	APPROVED



BY	DATE	 PAN PACIFIC ENTERPRISES CO., INC		
DRAWN R.M.	02/12/98			
CHK'D		PART NO		
APPRV		PT-066-DEC		
MATERIAL	SEE NOTES	UNITS	MM	SIZE
FINISH	SEE NOTES	SCALE		

4

3

2

1