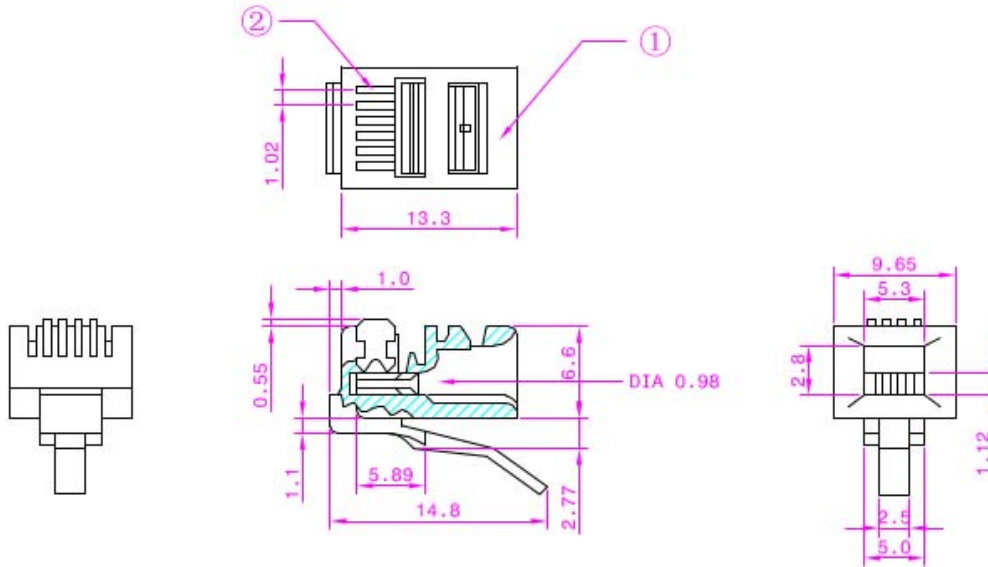




Chongdan Wang
 DN
 cn=Chongdan
 Wang c=<>
 email=cwang@s
 teren.cn
 2011.09.20
 15:54:51 +08'00'



Tolerance: ±0.125mm

Materials Specifications

No	Qty	Desc	Material	Notes
1	1	HOUSING	CLEAR POLYCARBONATE	
2	4	CONTACT		Gold Plating

Product Family

Item
300-064

SCALE 2:1 UNITS mm		Steren Electronics International, LLC	4C 6x4 RJ11 MODULAR PLUG		
Copyright© 2004 Steren Electronics International, LLC All Right Reserved			300-064	ED	2007-04-25 SHEET NO 1/1