

6

5

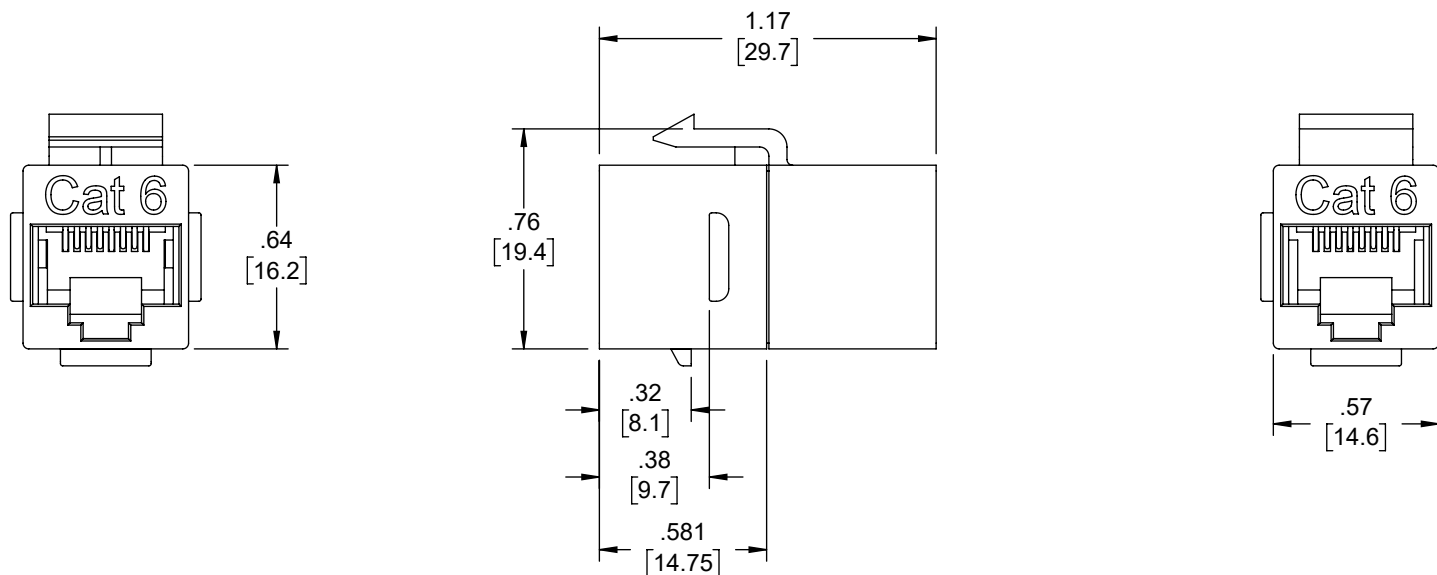
4

3

2

1

REVISION					
ZONE	REV	DESCRIPTION	DATE	CHANGED BY	APPROVED
	A	ECO-15584	03/10/2026	HBAKKE	DGUST

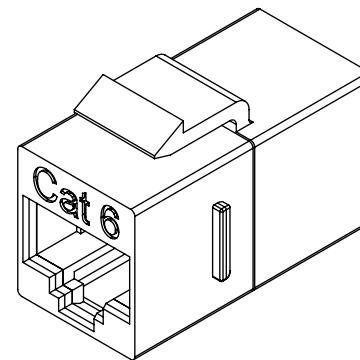


NOTES:

- MATERIAL:**
 COUPLER HOUSING: ABS HIGH-IMPACT UL94V-0 THERMOPLASTIC
 SPRING WIRE: PHOSPHOR BRONZE 5210R TEMPER WIRE, T=0.3mm, 50μ"
 GOLD OVER 100μ" NICKEL UNDERCOAT
 CONTACT HOLDER: PBT HIGH-IMPACT UL94V-0 THERMOPLASTIC
- PHYSICAL CHARACTERISTICS:**
 INSERTION LIFE: 750 MATING CYCLES WITH FCC COMPLIANT RJ-45 PLUG
 CONTACT FORCE: 100 GRAMS WITH FCC COMPLIANT RJ-45 PLUG
 PLUG RETENTION FORCE: 11 LBF MIN.
 OPERATING TEMPERATURE RANGE: -10°C TO +60°C
 STORAGE TEMPERATURE RANGE: -40°C TO +68°C
 HUMIDITY: 10%~90% RH
- ELECTRICAL:**
 INSULATION RESISTANCE: 500MΩ
 DIELECTIC WITHSTANDING VOLTAGE: 1000V
 DC CURRENT RATING: 1.5A
 DC RESISTANCE: 0.1Ω
 CONTACT RESISTANCE: 20mΩ


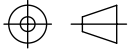
REGULATORY COMPLIANCE:
 EU RoHS DIRECTIVE (MOST RECENT RELEASED VERSION).

THE INFORMATION CONTAINED IN THIS DRAWING IS THE SOLE PROPERTY OF INFINITE ELECTRONICS, INC. ANY REPRODUCTION IN PART OR WHOLE WITHOUT THE WRITTEN PERMISSION OF INFINITE ELECTRONICS, INC. IS PROHIBITED. THESE COMMODITIES, TECHNOLOGY OR SOFTWARE WERE EXPORTED FROM THE UNITED STATES IN ACCORDANCE WITH THE EXPORT ADMINISTRATION REGULATIONS. DIVERSION CONTRARY TO U.S. LAW PROHIBITED.



ITEM NUMBER	COLOR
406	BLUE
409	WHITE
411	GREEN
444	GRAY
457	ORANGE
460	PURPLE
461	RED
524	BLACK
543	YELLOW

UNLESS OTHERWISE SPECIFIED LEADING DIMENSIONS ARE INCHES DIMENSIONS IN [] ARE MILLIMETERS	
TOLERANCES:	
.X = ±.2 [5]	FRACTIONS ± 1/32
.XX = ±.02 [0.5]	ANGLES ± 1°
.XXX = ±.005 [0.13]	
CABLE LENGTH TOLERANCES:	
≤12 [305] = +1 [25] / -0	
>12 [305] ≤ 60 [1524] = +2 [51] / -0	
>60 [1524] ≤ 120 [3048] = +4 [102] / -0	
>120 [3048] ≤ 300 [7620] = +6 [152] / -0	
>300 [7620] = +5% / -0	
CABLE LENGTH TOL. IAW IPC A-620	
ALL DIMENSIONS ARE FOR REFERENCE ONLY AND SUBJECT TO CHANGE WITHOUT NOTICE. UN-DIMENSIONED/NON-CRITICAL FEATURES MAY VARY IN SIZE AND LOCATION COLORS MAY VARY	

 Show Me CABLES an INFINIT@ brand Website: www.ShowMeCables.com Phone: 1.888.519.9505		 INTERPRET ALL DIMENSIONS AND TOLERANCES PER ASME Y14.5	
		SCALE NONE	SHEET 1 OF 1
DESCRIPTION CAT6 RJ45 INLINE KEYSTONE COUPLER - BLACK			
SIZE A	CAGE CODE 3SVT8	DRAWN BY HBAKKE	ITEM NO. 524
			REV A

6

5

4

3

2

1