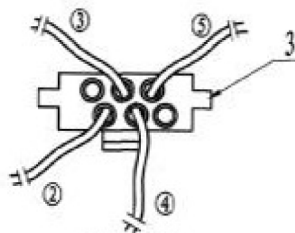
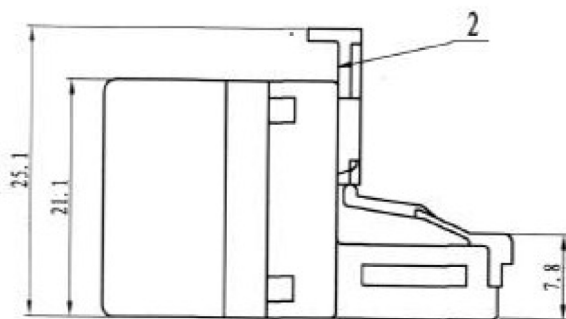
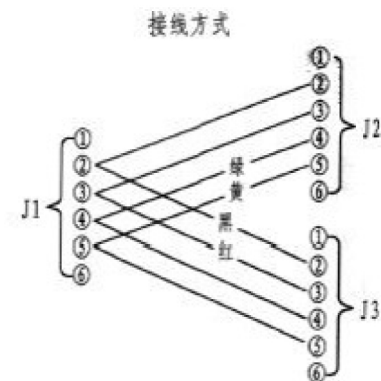
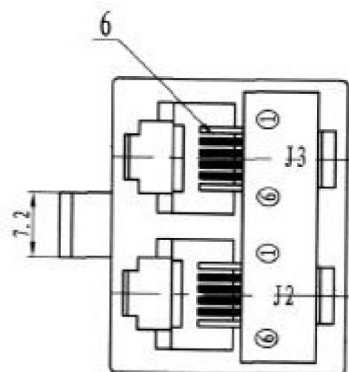
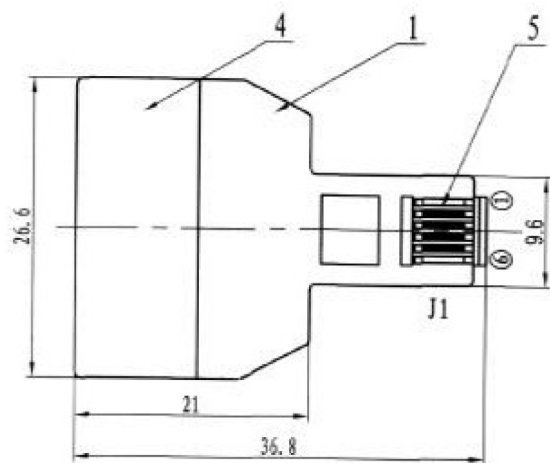


Rev.	Rev. Date	Modified By	Brief Description



PART NAME	SPECIFICATION DESCRIPTION	QTY	UNIT
503			

Show Me
CABLES
cables & connectors since 1995

DRAWN BY	DATE:	DESCRIPTION:
CHECKED BY	SHEET 1 of 1	ITEM NO. 503
APPROVED BY	SCALE 1:1	REV. 00 UNIT: mm