

6

5

4

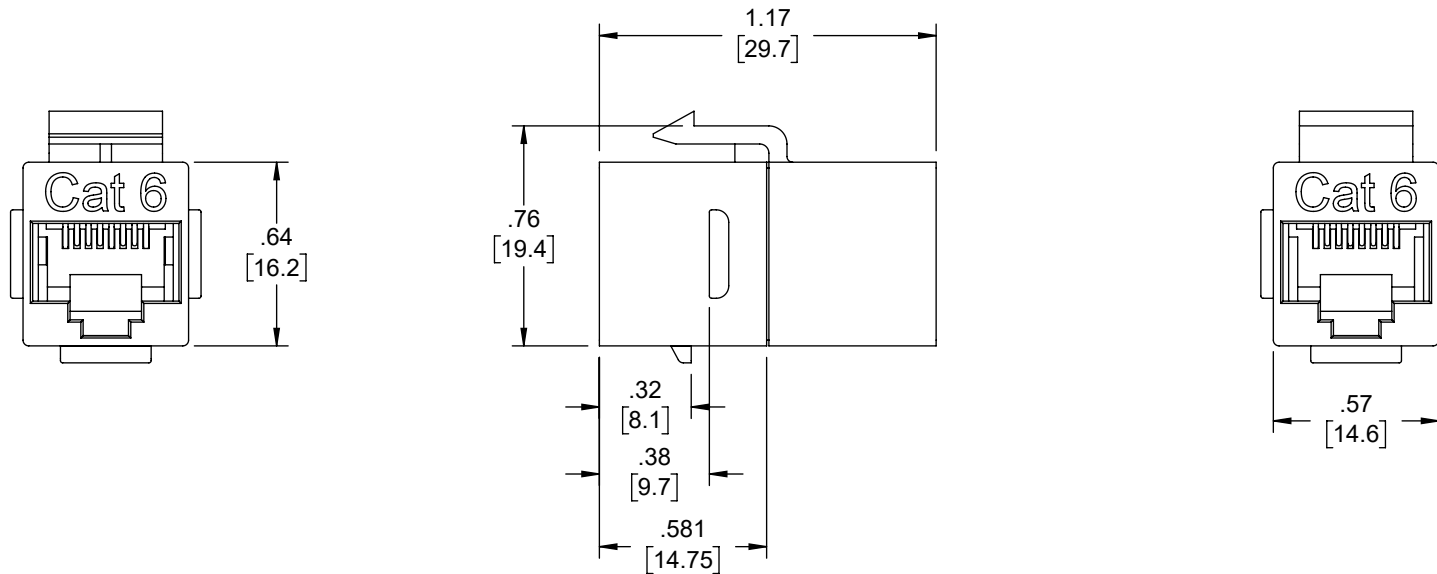
3

2

1

REVISION

ZONE	REV	DESCRIPTION	DATE	CHANGED BY	APPROVED
	A	ECO-15584	03/10/2026	HBAKKE	DGUST

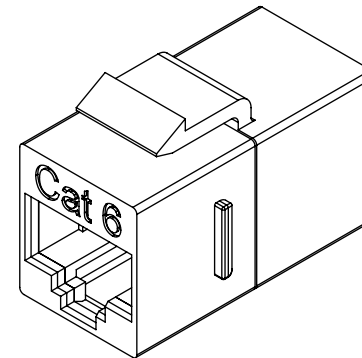


NOTES:

- MATERIAL:**
 COUPLER HOUSING: ABS HIGH-IMPACT UL94V-0 THERMOPLASTIC
 SPRING WIRE: PHOSPHOR BRONZE 5210R TEMPER WIRE, T=0.3mm, 50μ"
 GOLD OVER 100μ" NICKEL UNDERCOAT
 CONTACT HOLDER: PBT HIGH-IMPACT UL94V-0 THERMOPLASTIC
- PHYSICAL CHARACTERISTICS:**
 INSERTION LIFE: 750 MATING CYCLES WITH FCC COMPLIANT RJ-45 PLUG
 CONTACT FORCE: 100 GRAMS WITH FCC COMPLIANT RJ-45 PLUG
 PLUG RETENTION FORCE: 11 LBF MIN.
 OPERATING TEMPERATURE RANGE: -10°C TO +60°C
 STORAGE TEMPERATURE RANGE: -40°C TO +68°C
 HUMIDITY: 10%~90% RH
- ELECTRICAL:**
 INSULATION RESISTANCE: 500MΩ
 DIELECTIC WITHSTANDING VOLTAGE: 1000V
 DC CURRENT RATING: 1.5A
 DC RESISTANCE: 0.1Ω
 CONTACT RESISTANCE: 20mΩ

REGULATORY COMPLIANCE:
 EU RoHS DIRECTIVE (MOST RECENT RELEASED VERSION).

THE INFORMATION CONTAINED IN THIS DRAWING IS THE SOLE PROPERTY OF INFINITE ELECTRONICS, INC. ANY REPRODUCTION IN PART OR WHOLE WITHOUT THE WRITTEN PERMISSION OF INFINITE ELECTRONICS, INC. IS PROHIBITED. THESE COMMODITIES, TECHNOLOGY OR SOFTWARE WERE EXPORTED FROM THE UNITED STATES IN ACCORDANCE WITH THE EXPORT ADMINISTRATION REGULATIONS. DIVERSION CONTRARY TO U.S. LAW PROHIBITED.



ITEM NUMBER	COLOR
406	BLUE
409	WHITE
411	GREEN
444	GRAY
457	ORANGE
460	PURPLE
461	RED
524	BLACK
543	YELLOW

UNLESS OTHERWISE SPECIFIED
 LEADING DIMENSIONS ARE INCHES
 DIMENSIONS IN [] ARE MILLIMETERS

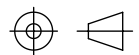
TOLERANCES:
 .X = ±.2 [5] FRACTIONS ± 1/32
 .XX = ±.02 [0.5] ANGLES ± 1°
 .XXX = ±.005 [0.13]

CABLE LENGTH TOLERANCES:
 ≤12 [305] = +1 [25] / -0
 >12 [305] ≤ 60 [1524] = +2 [51] / -0
 >60 [1524] ≤ 120 [3048] = +4 [102] / -0
 >120 [3048] ≤ 300 [7620] = +6 [152] / -0
 >300 [7620] = +5% / -0

CABLE LENGTH TOL. IAW IPC A-620
 ALL DIMENSIONS ARE FOR REFERENCE ONLY
 AND SUBJECT TO CHANGE WITHOUT NOTICE.
 UN-DIMENSIONED NON-CRITICAL FEATURES
 MAY VARY IN SIZE AND LOCATION
 COLORS MAY VARY

Show Me™
CABLES
 an INFINIT® brand

Website: www.ShowMeCables.com
 Phone: 1.888.519.9505



INTERPRET ALL DIMENSIONS AND
 TOLERANCES PER ASME Y14.5

SCALE	SHEET
NONE	1 OF 1

DESCRIPTION
CAT6 RJ45 INLINE KEYSTONE COUPLER - ORANGE

SIZE	CAGE CODE	DRAWN BY	ITEM NO.	REV
A	3SVT8	HBAKKE	457	A

6

5

4

3

2

1