

6

5

4

3

2

1

| REVISION | | | | | |
|----------|-----|-----------------|------------|------------|----------|
| ZONE | REV | DESCRIPTION | DATE | CHANGED BY | APPROVED |
| | A | INITIAL RELEASE | 01/23/2025 | DMAY | DREBECK |

F

F

E

E

D

D

C

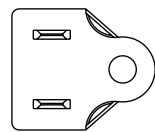
C

B

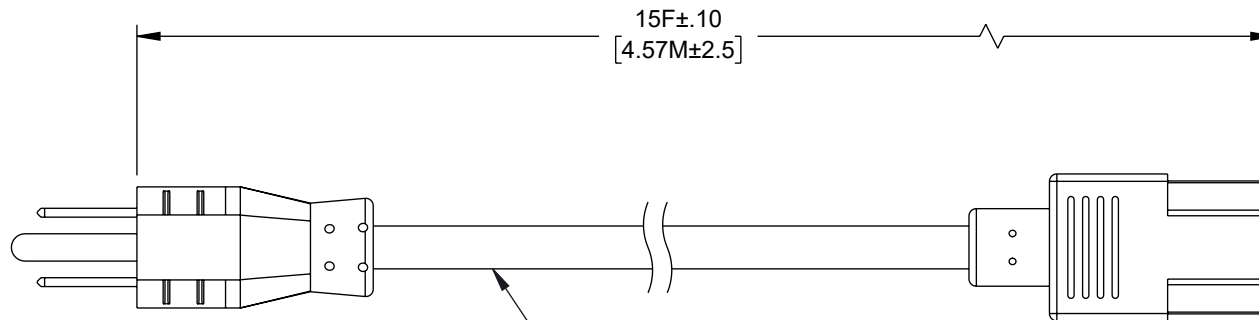
B

A

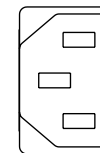
A



NEMA 5/15
15A/125V



CABLE SJTOW3X14AWG, 105°C,
COLOR: BLACK



EN60320 C13

NOTES:

1. PLUG TYPE: N5/15P BLACK
2. CORDAGE: SJTOW3X14AWG 105°C BLACK
3. CONNECTOR: EN60320 C13 BLACK
4. APPROVALS: UL/cUL OR, CSA
5. RATING: 15A/125V
6. COLOR CODING: NA (BLACK/WHITE/GREEN)
7. CABLE ASSEMBLY SHALL BE INDIVIDUALLY PACKAGED.

REGULATORY COMPLIANCE:
EU RoHS DIRECTIVE (MOST RECENT RELEASED VERSION)

THE INFORMATION CONTAINED IN THIS DRAWING IS THE SOLE PROPERTY OF INFINITE ELECTRONICS, INC. ANY REPRODUCTION IN PART OR WHOLE WITHOUT THE WRITTEN PERMISSION OF INFINITE ELECTRONICS, INC. IS PROHIBITED. THESE COMMODITIES, TECHNOLOGY OR SOFTWARE WERE EXPORTED FROM THE UNITED STATES IN ACCORDANCE WITH THE EXPORT ADMINISTRATION REGULATIONS. DIVERSION CONTRARY TO U.S. LAW PROHIBITED.

| | |
|--|------------------|
| UNLESS OTHERWISE SPECIFIED LEADING DIMENSIONS ARE INCHES DIMENSIONS IN [] ARE MILLIMETERS | |
| TOLERANCES: | |
| .X = ±.2 [5] | FRACTIONS ± 1/32 |
| .XX = ±.02 [0.5] | ANGLES ± 1° |
| .XXX = ±.005 [0.13] | |
| CABLE LENGTH TOLERANCES: | |
| ≤12 [305] = +1 [25] / -0 | |
| >12 [305] ≤ 60 [1524] = +2 [51] / -0 | |
| >60 [1524] ≤ 120 [3048] = +4 [102] / -0 | |
| >120 [3048] ≤ 300 [7620] = +6 [152] / -0 | |
| >300 [7620] = +5% / -0 | |
| ALL DIMENSIONS ARE FOR REFERENCE ONLY AND SUBJECT TO CHANGE WITHOUT NOTICE. UN-DIMENSIONED/NON-CRITICAL FEATURES MAY VARY IN SIZE AND LOCATION. COLORS MAY VARY. | |

| | | | |
|--|--------------------|--|------------------------|
| an INFINIT® brand Website: www.ShowMeCables.com Phone: 1.888.519.9505 | | INTERPRET ALL DIMENSIONS AND TOLERANCES PER ASME Y14.5 | |
| | | SCALE NONE | SHEET 1 OF 1 |
| DESCRIPTION N5-15P - C13, SJTOW CORD, 125V, 15A, 15FT | | | |
| SIZE A | CAGE CODE 3SVT8 | DRAWN BY DMAY | ITEM NO. 44-600-015 |
| | | | REV A |

6

5

4

3

2

1