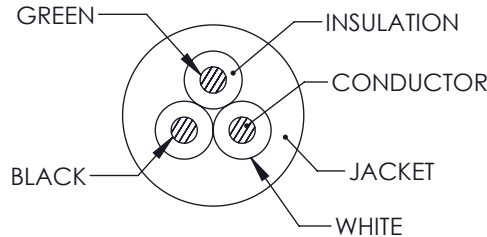
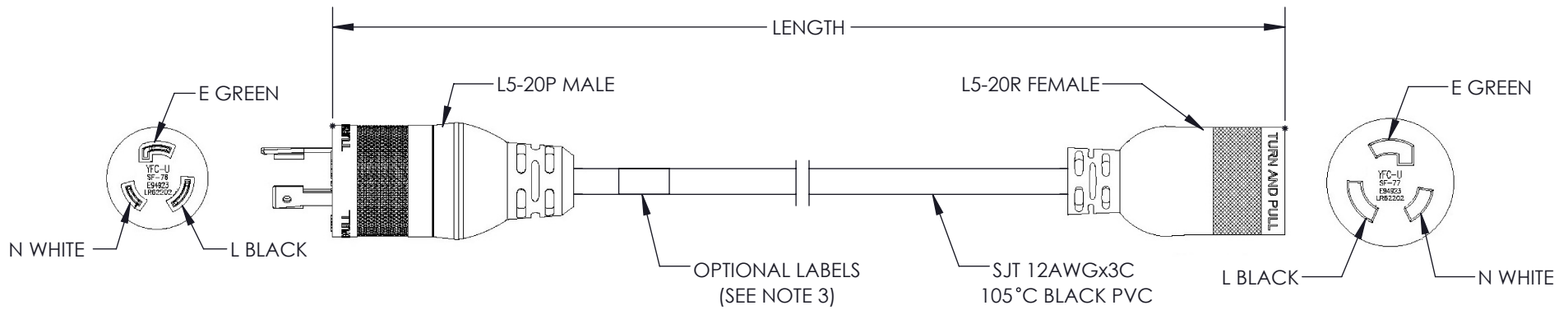


THE INFORMATION CONTAINED IN THIS DRAWING IS THE SOLE PROPERTY OF SHOW ME CABLES, INC. ANY REPRODUCTION IN PART OR WHOLE WITHOUT THE WRITTEN PERMISSION OF SHOW ME CABLES, INC. IS PROHIBITED.

REVISIONS			
REV	DESCRIPTION	DATE	APPROVED
A	INITIAL RELEASE	10/19/2021	GUTTADAURO



ITEM NUMBER	LENGTH INCHES [MM]
44-507-003	36.0 ± 0.4 [910 ± 10.0]
44-507-006	72.0 ± 0.8 [1830 ± 20.0]
44-507-010	120.0 ± 1.2 [3050 ± 30.0]

**NOTES:**

- VOLTAGE RATING:**  
DIELECTRIC VOLTAGE WITHSTAND TEST: 1500V / 1 Sec  
CONDUCTOR RESISTANCE ≤ 8.88Ω/1000M  
VOLTAGE RATING AC 300V
- CABLE MARKING :**  
(UL) E135710-F5 SJT 3×12AWG 105°C 300V VW-1  
c(UL) SJT 3×3.31 mm<sup>2</sup> (12AWG) 105°C 300V FT2
- OPTIONAL LABELS:**  
OPTIONAL LABEL(S) MAY INCLUDE  
UL, CURRENT AND/OR WARNING
- CABLE ASSEMBLY SHALL BE INDIVIDUALLY PACKAGED.**
- ALL DIMENSIONS FOR REFERENCE ONLY.**

UNLESS OTHERWISE SPECIFIED, DIMENSIONS ARE IN INCHES [mm] OVERALL CABLE LENGTH TOLERANCE: ≤12 [305] = +1 [25] / -0 >12 [305] ≤60 [1524] = +2 [51] / -0 >60 [1524] ≤120 [3048] = +4 [102] / -0 >120 [3048] ≤300 [7620] = +6 [152] / -0 >300 [7620] = +5% / -0 ALL OTHER DIMENSIONAL TOLERANCES: .X = ± .2 [5]   FRACTIONS ± 1/32 .XX = ± .02 [5]   ANGLES ± 1° .XXX = ± .005 [13]	APPROVALS DRAWN BY: MVEERAPPAN CHECKED BY: DFRISIELLO APPROVED BY: GUTTADAURO	DATE 10/19/2021 10/19/2021 10/19/2021	115 Chesterfield Industrial Blvd., Chesterfield, MO 63005 Phone: 1.888.519.9505 Fax: 1.888.519.9515 an INFINIT brand	
	CONFIGURATION DETAILS OF UNDIMENSIONED FEATURES MAY VARY COLOR VARIATIONS MAY OCCUR	CATEGORY <b>POWER PRODUCTS</b>		PRODUCT DESCRIPTION <b>L5-20P - L5-20R Lck Power Cord, 20A, 125V,</b>
THIRD-ANGLE PROJECTION 	SIZE <b>A</b>	CAGE CODE <b>3SVT8</b>	ITEM NO. <b>44-507-XXX</b>	REV. <b>A</b>
SCALE: NONE		CAD FILE: 44-507-XXX.SLDDRW		SHEET 1 OF 1