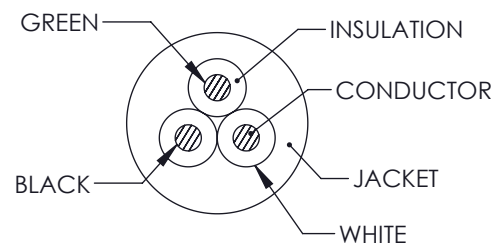
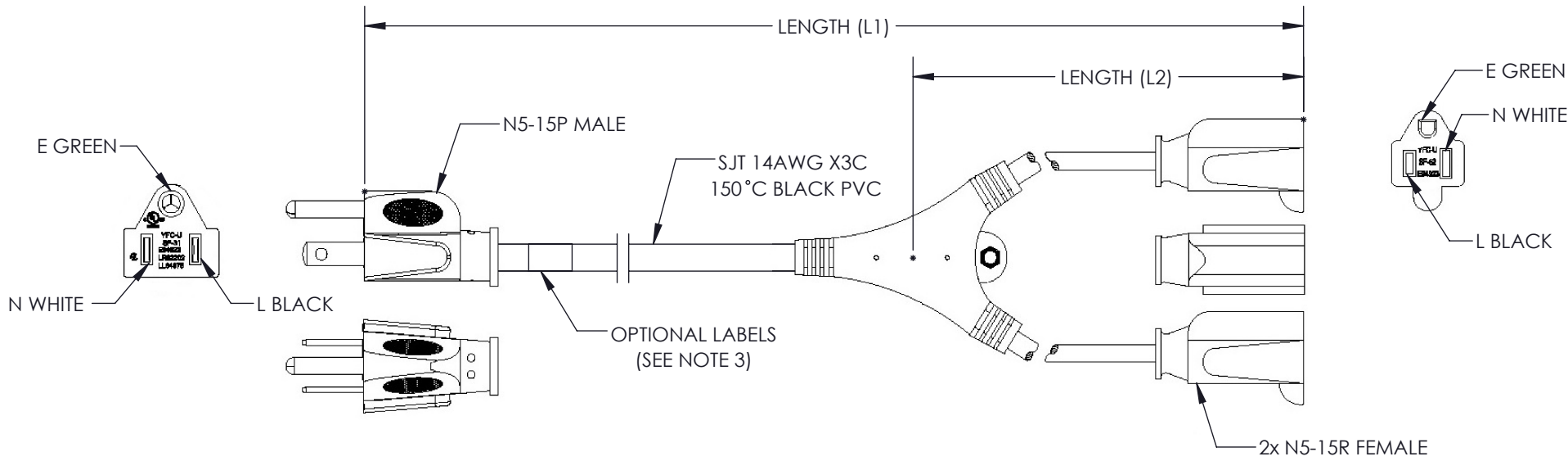


THE INFORMATION CONTAINED IN THIS DRAWING IS THE SOLE PROPERTY OF SHOW ME CABLES, INC. ANY REPRODUCTION IN PART OR WHOLE WITHOUT THE WRITTEN PERMISSION OF SHOW ME CABLES, INC. IS PROHIBITED.


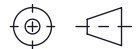
REVISIONS			
REV	DESCRIPTION	DATE	APPROVED
A	INITIAL RELEASE	10/19/2021	GUITADAURO



ITEM NUMBER	LENGTH (L1) INCHES [MM]	LENGTH (L2) INCHES [MM]
44-222-002	24.0 ± 0.4 [610 ± 10.0]	9.0 ± 0.4 [228 ± 10.0]
44-222-003	36.0 ± 0.4 [915 ± 10.0]	9.0 ± 0.4 [228 ± 10.0]
44-222-004	48.0 ± 0.8 [1220 ± 20.0]	9.0 ± 0.4 [228 ± 10.0]
44-222-006	72.0 ± 0.8 [1830 ± 20.0]	24.0 ± 0.4 [609 ± 10.0]

NOTES:

- VOLTAGE RATING:**
DIELECTRIC VOLTAGE WITHSTAND TEST: 1500V / 1 Sec
CONDUCTOR RESISTANCE ≤ 8.88Ω/1000M
VOLTAGE RATING AC 300V
- CABLE MARKING :**
(UL) E135710-F5 SJT 3×14AWG 105°C 300V VW-1
c(UL)SJT 3×2.08 mm² (14AWG) 105°C 300V FT2
- OPTIONAL LABELS:**
OPTIONAL LABEL(S) MAY INCLUDE
UL, CURRENT AND/OR WARNING
- CABLE ASSEMBLY SHALL BE INDIVIDUALLY PACKAGED.**
- ALL DIMENSIONS FOR REFERENCE ONLY.**

UNLESS OTHERWISE SPECIFIED, DIMENSIONS ARE IN INCHES [mm] OVERALL CABLE LENGTH TOLERANCE: ≤12 [305] = +1 [25] / -0 >12 [305] ≤60 [1524] = +2 [51] / -0 >60 [1524] ≤120 [3048] = +4 [102] / -0 >120 [3048] ≤300 [7620] = +6 [152] / -0 >300 [7620] = +5% / -0 ALL OTHER DIMENSIONAL TOLERANCES: .X = ± .2 [5] FRACTIONS ± 1/32 .XX = ± .02 [5] ANGLES ± 1° .XXX = ± .005 [13]	APPROVALS DRAWN BY MVEERAPPAN CHECKED BY DFRISIELLO APPROVED BY GUITADAURO	DATE 10/19/2021 10/19/2021 10/19/2021	 115 Chesterfield Industrial Blvd., Chesterfield, MO 63005 Phone: 1.888.519.9505 Fax: 1.888.519.9515 CATEGORY POWER PRODUCTS	PRODUCT DESCRIPTION N5-15P - 2N5-15R Split Power Cord, 15A	
	THIRD-ANGLE PROJECTION 	CONFIGURATION DETAILS OF UNDIMENSIONED FEATURES MAY VARY COLOR VARIATIONS MAY OCCUR			SIZE A SCALE: NONE