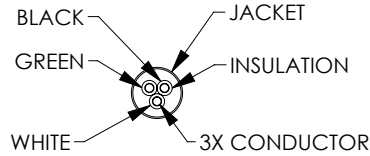
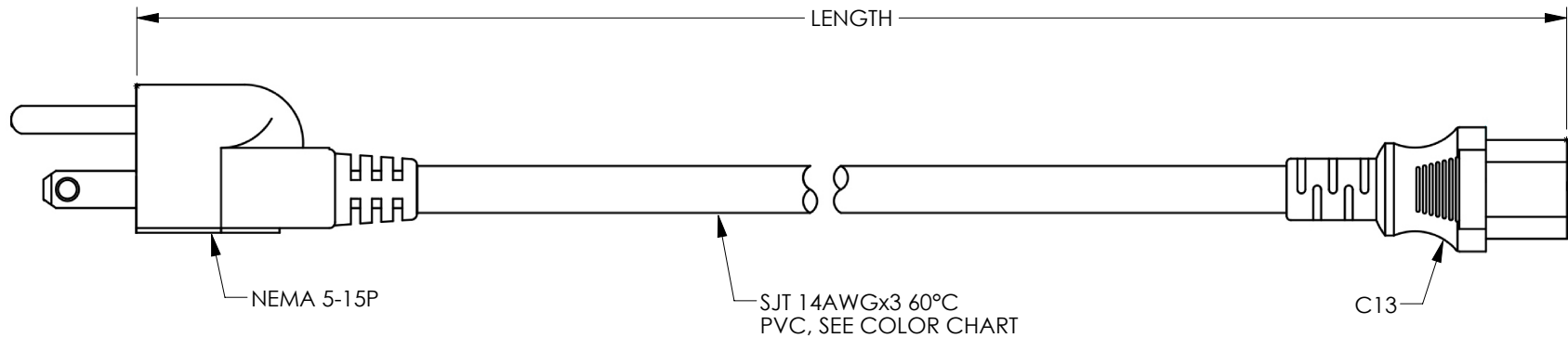


THE INFORMATION CONTAINED IN THIS DRAWING IS THE SOLE PROPERTY OF SHOW ME CABLES, INC. ANY REPRODUCTION IN PART OR WHOLE WITHOUT THE WRITTEN PERMISSION OF SHOW ME CABLES, INC. IS PROHIBITED.

REVISIONS			
REV	DESCRIPTION	DATE	APPROVED
B	INITIAL RELEASE PER ECN 11946	07/13/2022	GUTTADAURO



LENGTH FEET [METER]	BLACK	BLUE	WHITE	GREEN	RED
1.0 [.30]	44-108-001	44-108-001 BL	44-108-001 WH	44-108-001 GN	44-108-001 RD
2.0 [.61]	44-108-002	44-108-002 BL	-	44-108-002 GN	44-108-002 RD
3.0 [.91]	44-108-003	44-108-003 BL	-	44-108-003 GN	44-108-003 RD
6.0 [1.83]	44-108-006	44-108-006 BL	-	44-108-006 GN	44-108-006 RD
8.0 [2.44]	44-108-008	44-108-008 BL	-	44-108-008 GN	44-108-008 RD
15.0 [4.57]	44-108-015	44-108-015 BL	-	44-108-015 GN	44-108-015 RD
25.0 [7.62]	44-108-025	-	-	-	-

NOTES:

- VOLTAGE RATING: AC \geq 1500V/S
- CONNECTOR MALE POWER RATING: NEMA 5-15P UL-E257089
- CONNECTOR C13 POWER RATING: 15A UL-E257089
- CABLE: SJT 14AWGx3, 300V, 60°C VW-1 E313867 FT1
- CABLE ASSEMBLY SHALL BE INDIVIDUALLY PACKAGED.

UNLESS OTHERWISE SPECIFIED, DIMENSIONS ARE IN INCHES [mm] OVERALL CABLE LENGTH TOLERANCE: ≤12 [305] = +1 [25] / -0 >12 [305] ≤60 [1524] = +2 [51] / -0 >60 [1524] ≤120 [3048] = +4 [102] / -0 >120 [3048] ≤300 [7620] = +6 [152] / -0 >300 [7620] = +5% / -0 ALL OTHER DIMENSIONAL TOLERANCES: .X = ± .2 [5] FRACTIONS ± 1/32 .XX = ± .02 [5] ANGLES ± 1° .XXX = ± .005 [13]	APPROVALS DRAWN BY DFRISIELLO CHECKED BY BPUCHASKI APPROVED BY GUTTADAURO	DATE 07/13/2022 07/13/2022 07/13/2022	115 Chesterfield Industrial Blvd., Chesterfield, MO 63005 Phone: 1.888.519.9505 Fax: 1.888.519.9515 an INFINIT brand	
	CONFIGURATION DETAILS OF UNDIMENSIONED FEATURES MAY VARY COLOR VARIATIONS MAY OCCUR	CATEGORY POWER PRODUCT		PRODUCT DESCRIPTION Universal CPU Power Cord - NEMA 5-15P to C13 - 15Amp
THIRD-ANGLE PROJECTION 	SIZE A	CAGE CODE 3SVT8	ITEM NO. 44-108-XXX	REV. B
SCALE: NONE		CAD FILE: 44-108-XXX.SLDDRW		SHEET 1 OF 1