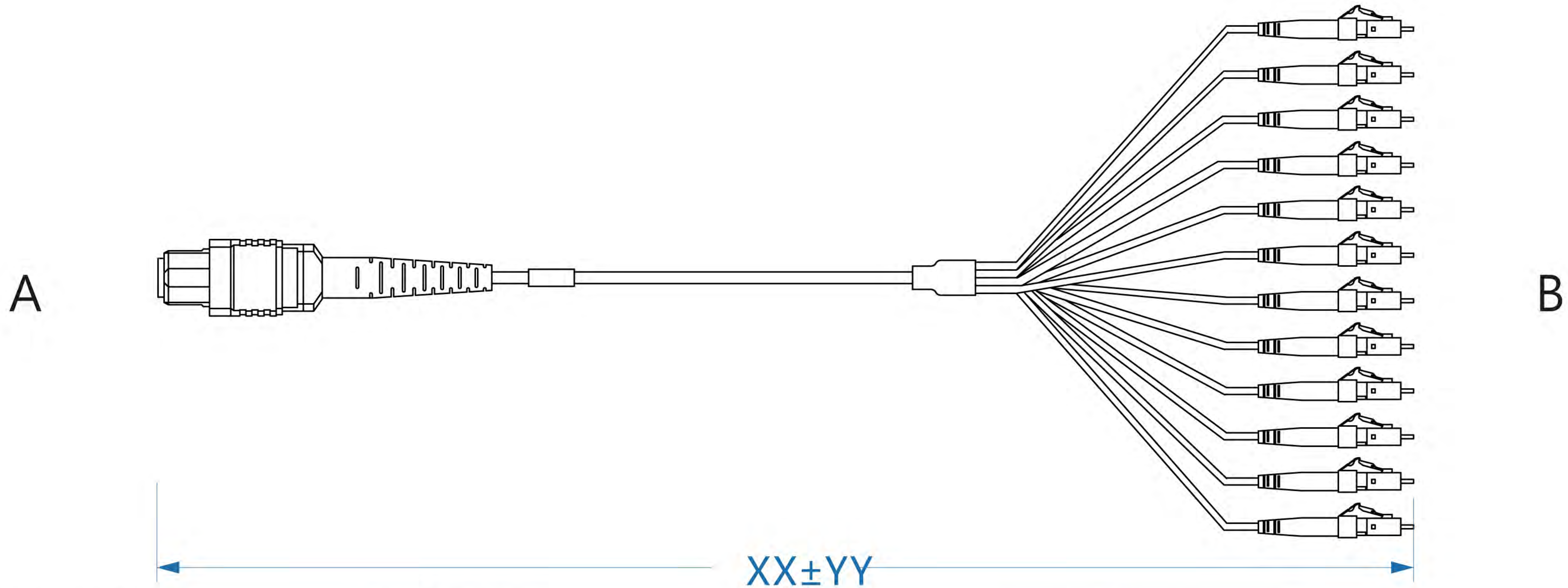


# MPO to LC 9/125 Singlemode Breakout Fiber Patch Cables - 12Fiber



1. Connector A: MPO Female
- Connector B: LC/UPC
2. Cable Type: 12 Fiber Singlemode 9/125um
3. Length: X (Unit: Meter)
4. Jacket Color: Yellow
5. Wavelength: 1310/1550nm
6. MPO Connector: (IL)≤0.35dB ; (RL)≥60dB
7. LC Connector: (IL)≤0.20dB ; (RL)≥50dB
8. Attenuation at 1310nm: ≤0.32 dB/km  
Attenuation at 1550nm: ≤0.18 dB/km
9. Operating Temperature: -20 Centigrade to +70 Centigrade
10. Storage Temperature: -40 Centigrade to +85 Centigrade
11. Packing: Each cable packed in a zip-lock polybag

XX	YY
XX≤1M	YY±50MM
XX>1M	YY±100MM

RoHS

PART NO.	35-700-XX				
TITLE	MPO to LC 9/125 Singlemode Breakout Fiber Cables-12Fiber				
SCALE	NOT SCALE	REV.	A		
DRAWER	LEO	UNIT	Meter		
CHECKED	RAYMOND				
APPROVED	TOM				