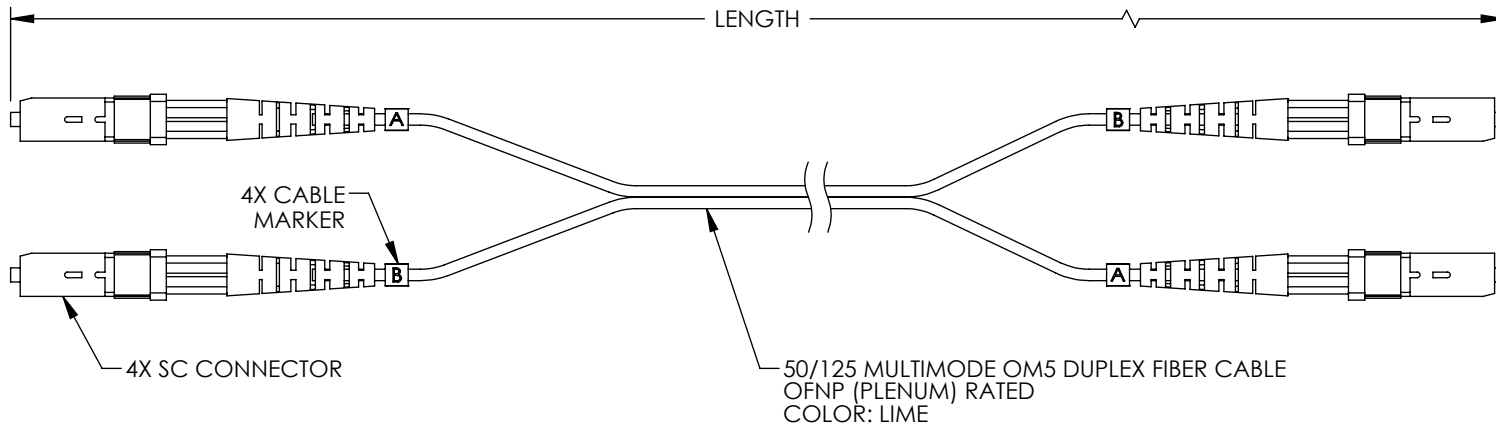


THE INFORMATION CONTAINED IN THIS DRAWING IS THE SOLE PROPERTY OF SHOW ME CABLES, INC. ANY REPRODUCTION IN PART OR WHOLE WITHOUT THE WRITTEN PERMISSION OF SHOW ME CABLES, INC. IS PROHIBITED.

REVISIONS			
REV.	DESCRIPTION	DATE	APPROVED
A	INITIAL RELEASE	11/11/21	PHOSPODAR




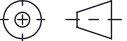
ITEM NO.	LENGTH	
	METER	FEET
34-348-01M	1.0	3.28
34-348-02M	2.0	6.56
34-348-03M	3.0	9.84
34-348-05M	5.0	16.40
34-348-10M	10.0	32.81
34-348-15M	15.0	49.21

NOTES:

1. SC CONNECTOR POLISH TYPE: UPC.
2. ALL CONNECTORS ACCOMPANIED WITH A DUST CAP INSTALLED (NOT SHOWN).
3. CABLE ASSEMBLY SHALL BE INDIVIDUALLY PACKAGED.
4. SC CONNECTORS ARE CLIPPED TOGETHER. CLIPS NOT SHOWN.

REGULATORY COMPLIANCE:

EU RoHS DIRECTIVE (MOST RECENT RELEASED VERSION)

UNLESS OTHERWISE SPECIFIED, DIMENSIONS ARE IN INCHES [mm] OVERALL CABLE LENGTH TOLERANCE: ≤12 [305] = +1 [25] / -0 >12 [305] ≤60 [1524] = +2 [51] / -0 >60 [1524] ≤120 [3048] = +4 [102] / -0 >120 [3048] ≤300 [7620] = +6 [152] / -0 >300 [7620] = +5% / -0 ALL OTHER DIMENSIONAL TOLERANCES: .X = ± .2 [5] FRACTIONS ± 1/32 .XX = ± .02 [.5] ANGLES ± 1° .XXX = ± .005 [.13]	APPROVALS	DATE	 115 Chesterfield Industrial Blvd., Chesterfield, MO 63005 Phone: 1.888.519.9505 Fax: 1.888.519.9515
	DRAWN BY DZINN CHECKED BY DFRISIELLO APPROVED BY PHOSPODAR	11/11/21 11/11/21 11/11/21	
THIRD-ANGLE PROJECTION 	CONFIGURATION DETAILS OF UNDIMENSIONED FEATURES MAY VARY COLOR VARIATIONS MAY OCCUR	PRODUCT DESCRIPTION FIBER OPTIC PATCH CABLE SC TO SC DUPLEX 50/125 MULTIMODE OM5 OFNP	SIZE A
SCALE: NONE		CAGE CODE 3SVT8	ITEM NO. 34-348
CAD FILE: 34-348.SLDDRW			REV. A
SHEET 1 OF 1			