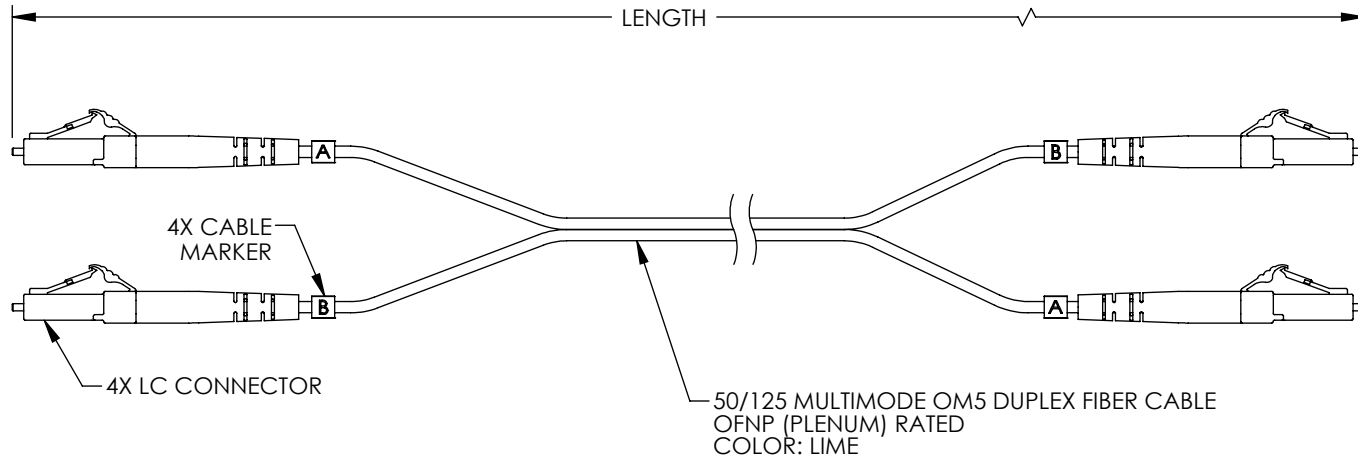


THE INFORMATION CONTAINED IN THIS DRAWING IS THE SOLE PROPERTY OF SHOW ME CABLES, INC. ANY REPRODUCTION IN PART OR WHOLE WITHOUT THE WRITTEN PERMISSION OF SHOW ME CABLES, INC. IS PROHIBITED.

REVISIONS			
REV.	DESCRIPTION	DATE	APPROVED
A	INITIAL RELEASE	11/11/2021	PHOSPODAR



ITEM NO.	LENGTH	
	METER	FEET
34-346-01M	1.0	3.28
34-346-02M	2.0	6.56
34-346-03M	3.0	9.84
34-346-05M	5.0	16.40
34-346-10M	10.0	32.81
34-346-15M	15.0	49.21

NOTES:

1. LC CONNECTOR POLISH TYPE: UPC.
2. ALL CONNECTORS ACCOMPANIED WITH A DUST CAP INSTALLED (NOT SHOWN).
3. CABLE ASSEMBLY SHALL BE INDIVIDUALLY PACKAGED.
4. LC CONNECTORS ARE CLIPPED TOGETHER. CLIPS NOT SHOWN.

REGULATORY COMPLIANCE:

EU RoHS DIRECTIVE (MOST RECENT RELEASED VERSION)

UNLESS OTHERWISE SPECIFIED, DIMENSIONS ARE IN INCHES [mm] OVERALL CABLE LENGTH TOLERANCE: ≤12 [305] = +1 [25] / -0 >12 [305] ≤60 [1524] = +2 [51] / -0 >60 [1524] ≤120 [3048] = +4 [102] / -0 >120 [3048] ≤300 [7620] = +6 [152] / -0 >300 [7620] = +5% / -0 ALL OTHER DIMENSIONAL TOLERANCES: .X = ± .2 [5] FRACTIONS ± 1/32 .XX = ± .02 [5] ANGLES ± 1° .XXX = ± .005 [13]	APPROVALS DRAWN BY DZINN CHECKED BY DFRISIELLO APPROVED BY PHOSPODAR	DATE 11/11/2021 11/11/2021 11/11/2021	 115 Chesterfield Industrial Blvd., Chesterfield, MO 63005 Phone: 1.888.519.9505 Fax: 1.888.519.9515
	CONFIGURATION DETAILS OF UNDIMENSIONED FEATURES MAY VARY COLOR VARIATIONS MAY OCCUR	CATEGORY FIBER OPTICS	PRODUCT DESCRIPTION FIBER OPTIC PATCH CABLE LC TO LC DUPLEX 50/125 MULTIMODE OM5 OFNP
THIRD-ANGLE PROJECTION 	SIZE A	CAGE CODE 3SVT8	ITEM NO. 34-346
			REV. A