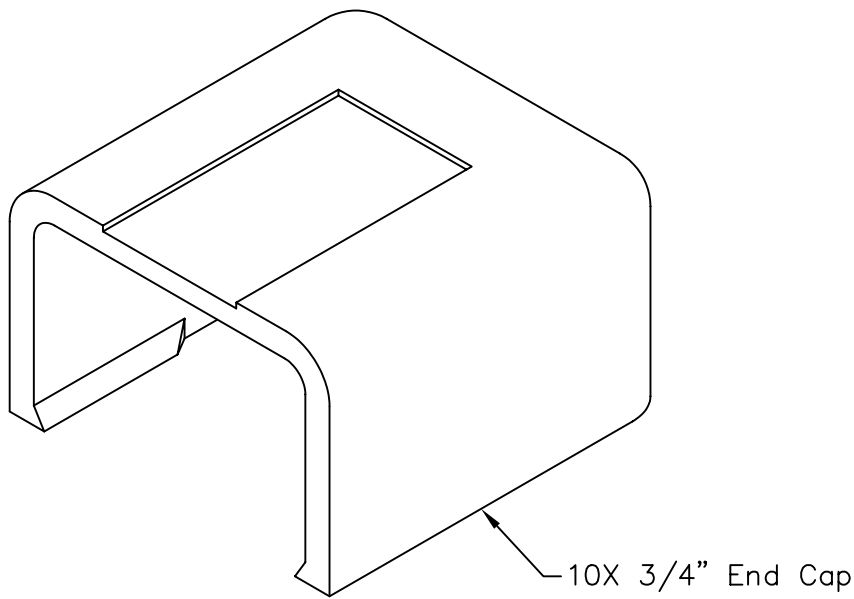


3/4" End Cap

PRODUCT SPECIFICATION

Package includes:

A. 3/4" End Cap, 10 pcs



Features and Benefits:

- Designed to protect raceway ends
- Accommodates ICRW11SR and ICRW118R 3/4"W x 1/2"H raceway sections
- Available in ivory and white

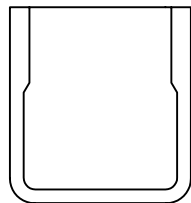
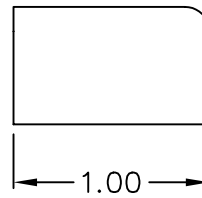
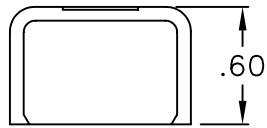
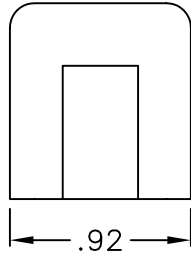
END CAP, 3/4", 10 PK

ITEM NO. ICRW11ECXX
DWG NO. PSRW11EC00

REV. A
PAGE NO. 1



CUSTOMER CARE / TECHNICAL SUPPORT * CSR@ICC.COM / 888-ASK-4-ICC (275-4422) * 14700 Alondra Blvd., La Mirada, CA 90638 * www.icc.com



NOTE: UNLESS OTHERWISE SPECIFIED

1. MATERIAL: HIGH IMPACT STYRENE
2. COLOR: XX: IV-IVORY & WH-WHITE

END CAP, 3/4", 10 PK



PremiumProducts
ProvenPerformance
CompetitivePrices

ITEM NO.	ICRW11ECXX
DWG NO.	PSRW11EC00

REV.	A
PAGE NO.	2

CUSTOMER CARE / TECHNICAL SUPPORT * CSR@ICC.COM / 888-ASK-4-ICC (275-4422) * 14700 Alondra Blvd., La Mirada, CA 90638 * www.icc.com