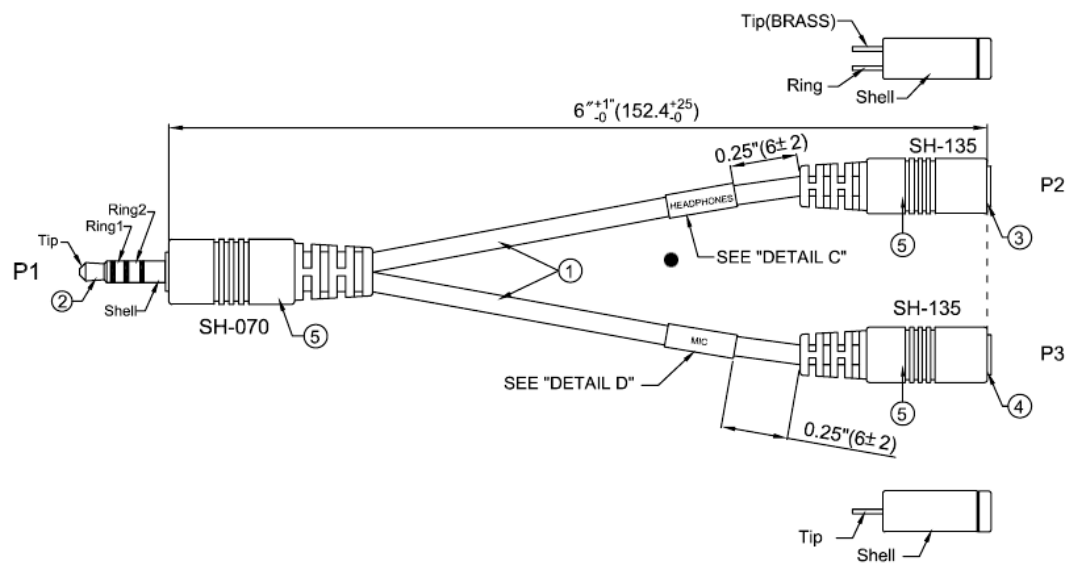



REV.	REVISION	DATE



5	13g	PVC-45-BK01	OVER MOLD: BLACK PVC 45P, UL94-V0.
4	1PC	35MFS-C	CONNECTOR: 3.5mm MONO JACK, SOLDER TYPE, NICKEL PLATED SHELL, MOLDED TYPE.
3	1PC	35SFS-C	CONNECTOR: 3.5mm STEREO JACK, SOLDER TYPE, NICKEL PLATED SHELL, MOLDED TYPE.
2	1PC	35FMS-C	CONNECTOR: 3.5mm 4 COND STEREO PLUG, SOLDER TYPE, NICKEL PLATED SHELL, MOLDED TYPE.
1	2PCS	PM-A-BK-3.5	CABLE: 24AWGx1P+DRAIN+AL/MY, UL2725, BLACK PVC JACKET, OD=3.5±0.15mm.
ITEM	QTY	PART NO.	DESCRIPTION
PART LIST			

**Show Me CABLES**

	UNIT: Inches [mm] DRAWN BY: Zhong CHECKED BY: APPROVED BY: P.O. NO.:	DATE: 06/09/2010 DATE: DATE: DATE:	TITLE: INTEGRATED MULTI-PORT AUDIO ADAPTER CABLE, 3.5MM (4 COND.) MALE TO [1] 3.5MM MONO JACK & [1] 3.5MM STEREO JACK, BLACK, BIN. LEGS. DRAWING NO: ST06727 REF: PART NO: 23-107-011-MI	REV: A
--	--	---	---	--------