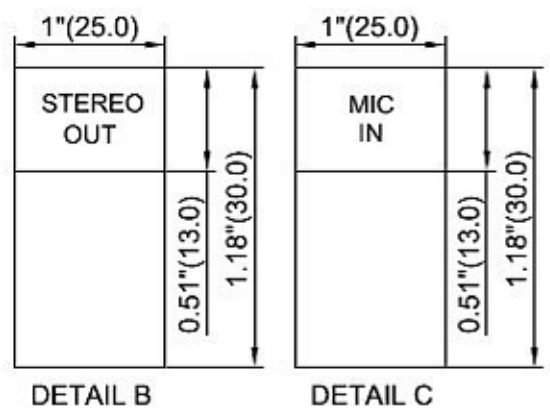
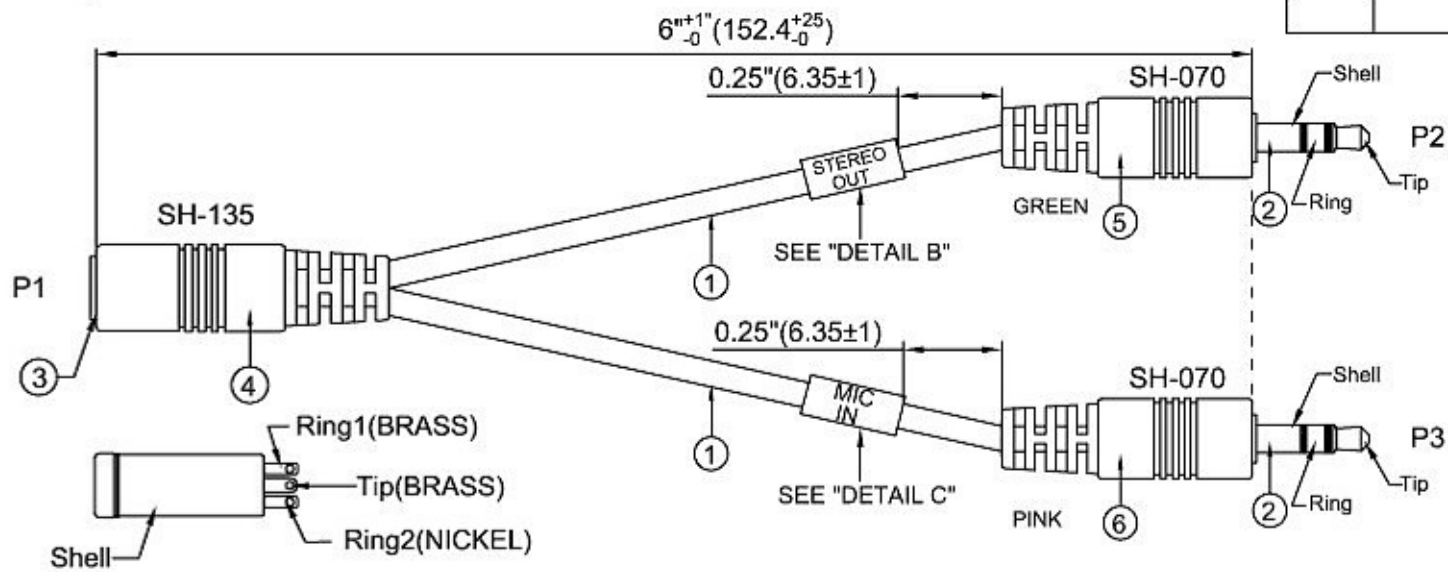


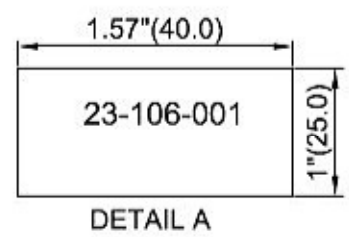
REV.	REVISION	DATE



NOTE:  
 1. TEST: 100% ELECTRICAL TEST AT 1M OHM INSULATION RESISTANCE.  
 2. PACKING:

EACH CABLE IN A POLYBAG			
	BAG TYPE	QTY	LABEL
SMALL	POLYBAG	1 CABLE	NONE
MEDIUM	POLYBAG	20 CABLES	SEE "DETAIL A"
LARGE	POLYBAG	ALL	NONE

EACH LARGE POLYBAG IN AN OUTER CARTON



PIN OUT				
P2	COLOR	P1	COLOR	P3
3.5mm M(Stereo)		3.5mm F(4 Cond.)		3.5mm M(Stereo)
Tip	RED	Tip		
Ring	BLACK	Ring 1		
Shell	DRAIN	Ring 2	DRAIN	Shell
		Shell	BLACK	Ring
			RED	Tip

6	3g	PVC-45-PK02	OVER MOLD: PINK PVC 45P, UL94-V0. (PT: 701C)
5	3g	PVC-45-GN02	OVER MOLD: GREEN PVC 45P, UL94-V0. (PT: 577C)
4	5g	PVC-45-BK01	OVER MOLD: BLACK PVC 45P, UL94-V0.
3	1PC	35FFS-C	CONNECTOR: 3.5mm(4 COND.) STEREO JACK, SOLDER TYPE, NICKEL PLATED SHELL, MOLDED TYPE.
2	2PCS	35SMS-C	CONNECTOR: 3.5mm STEREO PLUG, SOLDER TYPE, NICKEL PLATED SHELL, MOLDED TYPE.
1	2PCS	PM-A-BK-3.5	CABLE: 24AWGx1P+DRAIN+AL/MY, UL2725, BLACK PVC JACKET, OD=3.5±0.15mm.
ITEM	Q'TY	PART NO.	DESCRIPTION

PART LIST

**Show Me CABLES**  
Established by a Cable Manufacturer since 1970

	UNIT: Inches [mm]	TITLE:
	DATE: 10/28/2009	IPHONE HEADSET ADAPTER CABLE, 3.5mm [4 COND.] FEMALE TO [2] GREEN & PINK 3.5mm STEREO MALE, BLACK, 6 IN.
DRAWN BY: Moon	CHECKED BY:	DRAWING NO. ST06044
APPROVED BY:	DATE:	REV. A
P.O. NO.:	DATE:	PART NO. 23-106-001