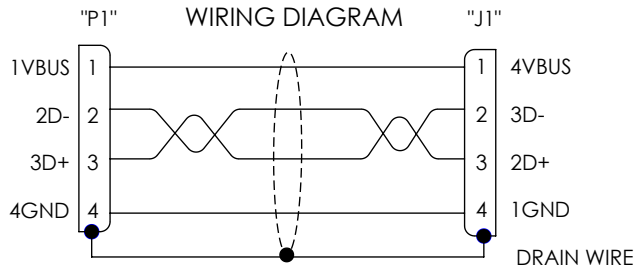
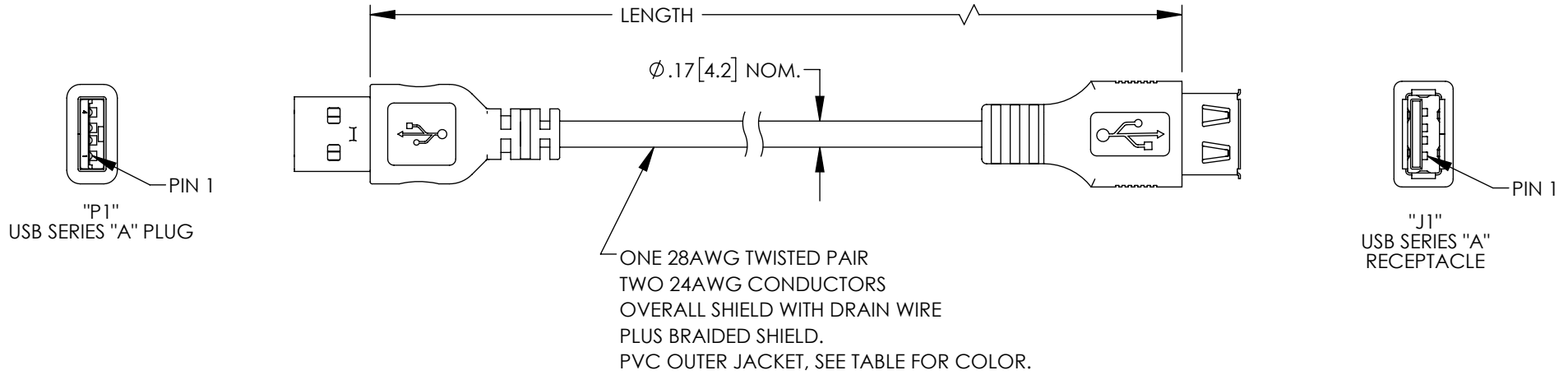


THE INFORMATION CONTAINED IN THIS DRAWING IS THE SOLE PROPERTY OF SHOW ME CABLES, INC. ANY REPRODUCTION IN PART OR WHOLE WITHOUT THE WRITTEN PERMISSION OF SHOW ME CABLES, INC. IS PROHIBITED.


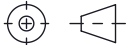
REVISIONS			
REV	DESCRIPTION	DATE	APPROVED
A	INITIAL RELEASE	04/27/2021	GUTTADAURO



ITEM NUMBER	COLOR	LENGTH FEET [METERS]
23-103-105	WHITE	0.5 [0.15]
23-103-003		3.0 [0.91]
23-103-006		6.0 [1.83]
23-103-010		10.0 [3.05]
23-103-015		15.0 [4.57]
23-103-105 BK	BLACK	0.5 [0.15]
23-103-003 BK		3.0 [0.91]
23-103-006 BK		6.0 [1.83]
23-103-010 BK		10.0 [3.05]
23-103-015 BK		15.0 [4.57]

NOTES:

1. CABLE ASSEMBLY SHALL HAVE 360° SHIELD TERMINATION.
2. CABLE ASSEMBLY SHALL MEET USB 2.0 REQUIREMENTS.
3. CABLE ASSEMBLY SHALL BE TESTED FOR CONTINUITY.
4. CABLE ASSEMBLY SHALL BE INDIVIDUALLY PACKAGED IN A POLYBAG.

UNLESS OTHERWISE SPECIFIED, DIMENSIONS ARE IN INCHES [mm] OVERALL CABLE LENGTH TOLERANCE: ≤12 [305] = +1 [25] / -0 >12 [305] ≤60 [1524] = +2 [51] / -0 >60 [1524] ≤120 [3048] = +4 [102] / -0 >120 [3048] ≤300 [7620] = +6 [152] / -0 >300 [7620] = +5% / -0 ALL OTHER DIMENSIONAL TOLERANCES: .X = ± .2 [5] FRACTIONS ± 1/32 .XX = ± .02 [5] ANGLES ± 1° .XXX = ± .005 [1.3]	APPROVALS	DATE	 115 Chesterfield Industrial Blvd., Chesterfield, MO 63005 Phone: 1.888.519.9505 Fax: 1.888.519.9515				
	DRAWN BY DZINN	04/27/2021		CATEGORY USB 2.0			
THIRD-ANGLE PROJECTION 	CHECKED BY DFRISIELLO	04/27/2021	PRODUCT DESCRIPTION USB 2.0 Extension Cable - A-Male/A-Female				
	APPROVED BY GUTTADAURO	04/27/2021	<table border="1"> <tr> <td>SIZE A</td> <td>CAGE CODE 3SVT8</td> <td>ITEM NO. 23-103</td> <td>REV. A</td> </tr> </table>	SIZE A	CAGE CODE 3SVT8	ITEM NO. 23-103	REV. A
SIZE A	CAGE CODE 3SVT8	ITEM NO. 23-103	REV. A				
	CONFIGURATION DETAILS OF UNDIMENSIONED FEATURES MAY VARY		SCALE: NONE CAD FILE: 23-103.SLDDRW SHEET 1 OF 1				