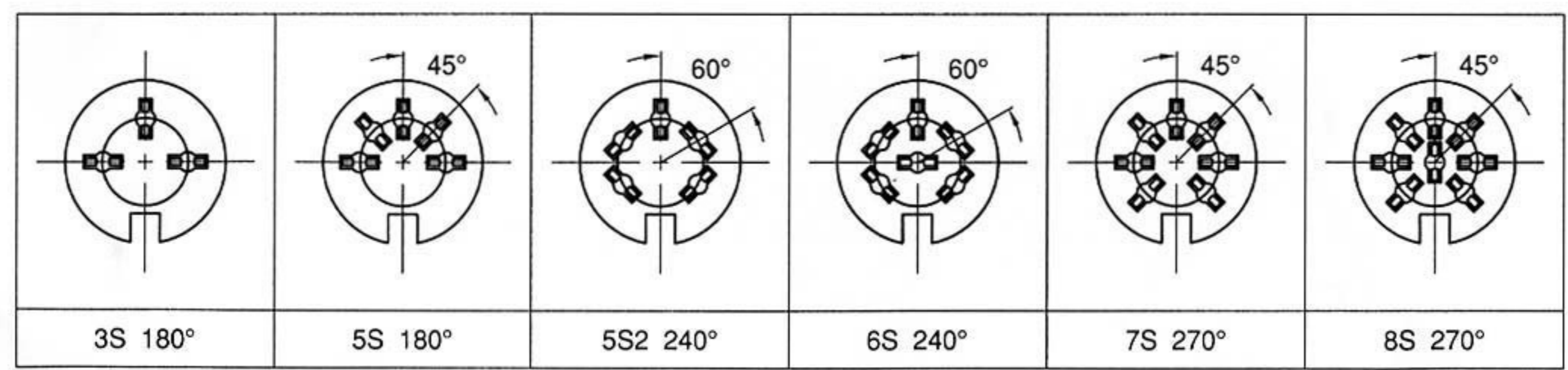
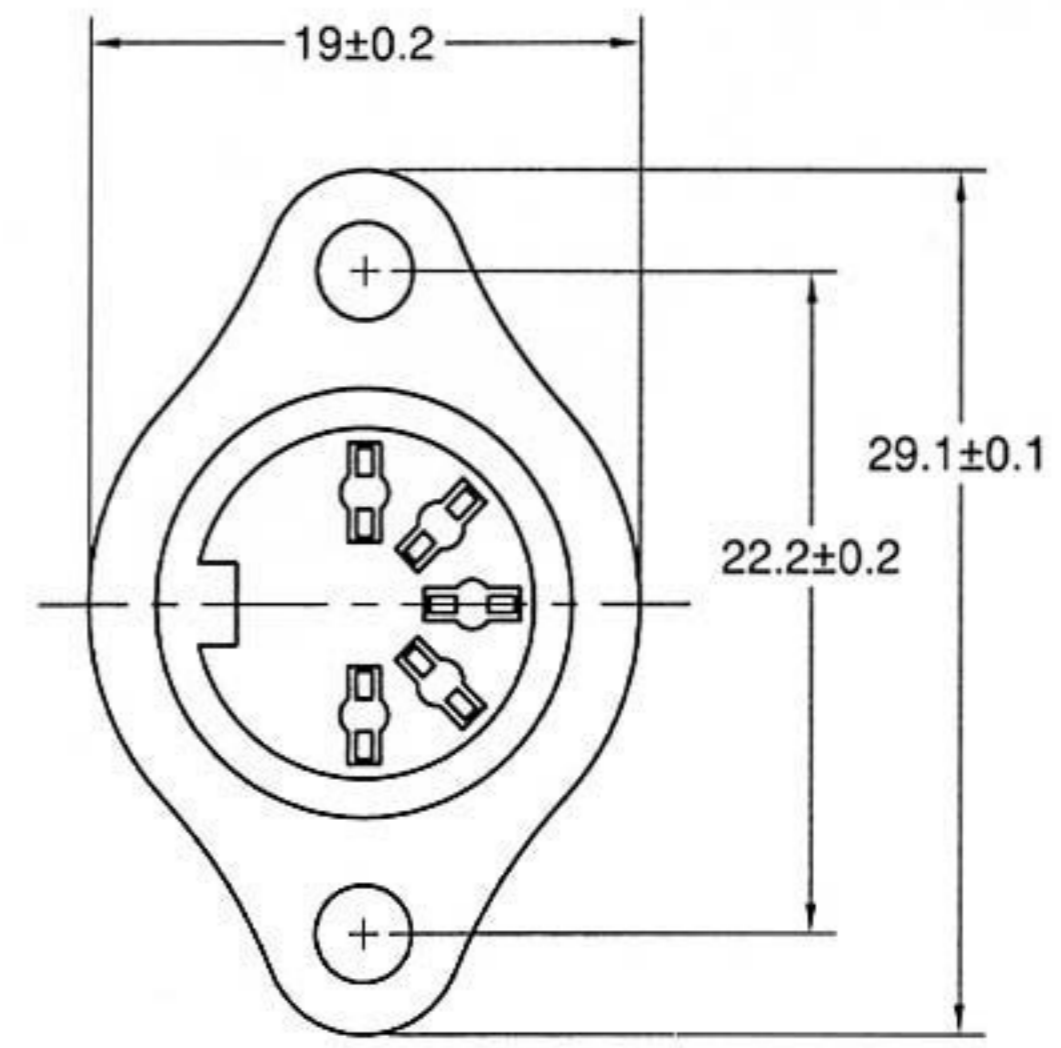
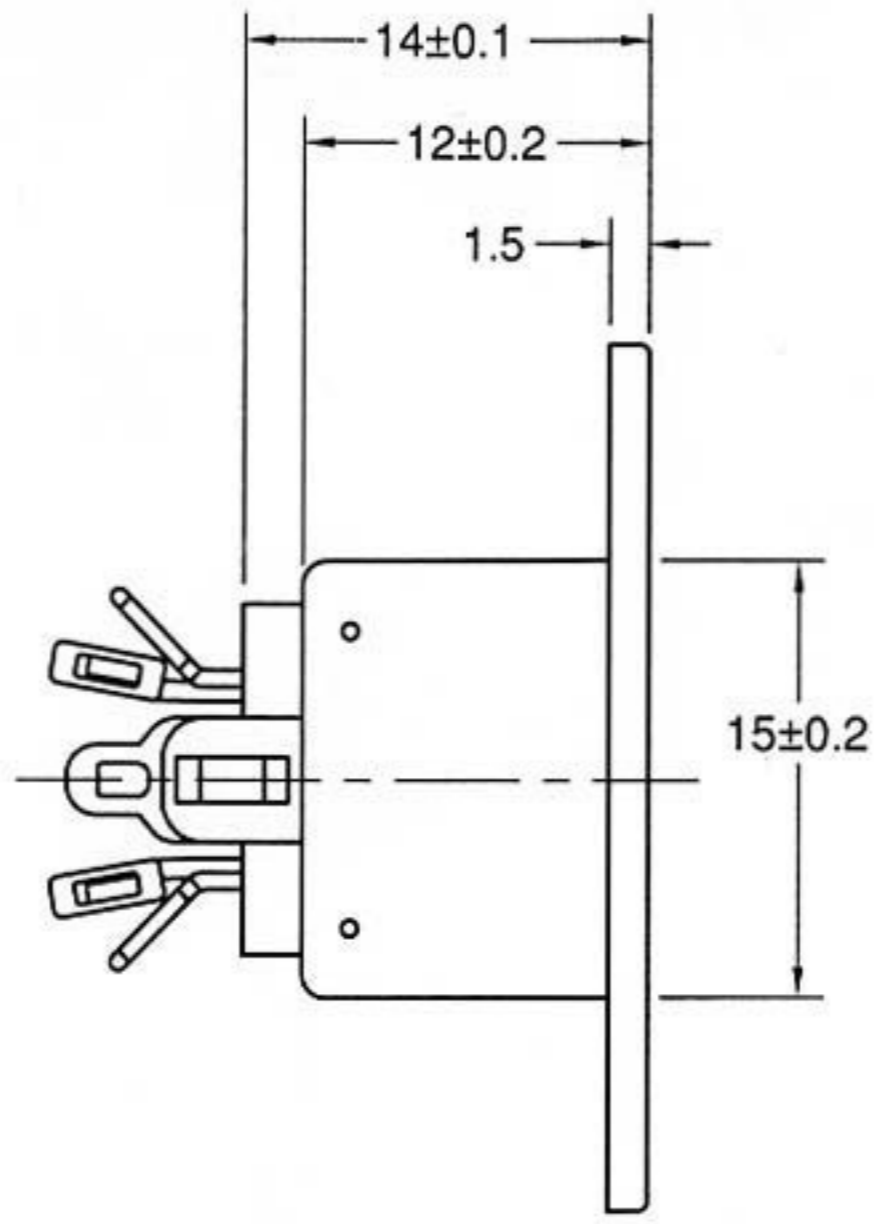
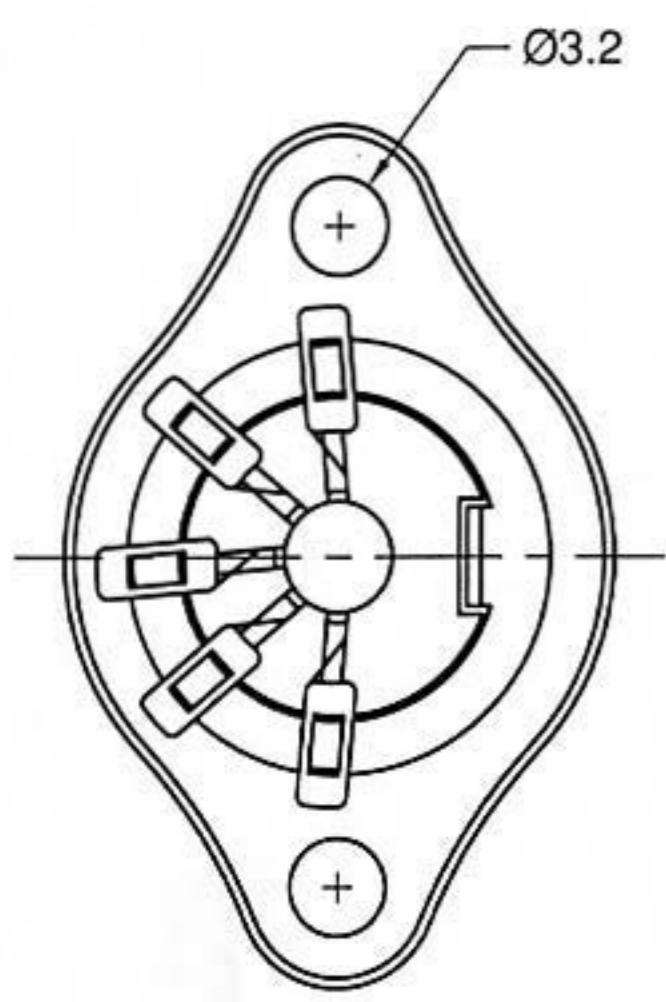


REVISIONS				
ZONE	REV	DESCRIPTION	DATE	APPROVED



(X) : DENOTES NUMBER OF CONTACT POSITION

**SPECIFICATIONS :**

- CONTACT RESISTANCE : 20m OHM MAX.
- INSULATION RESISTANCE : 300m OHM MIN. AT DC 500V. -
- VOLTAGE WITHSTANDING : AC 1000V FOR ONE MIN.
- INSERTION FORCE : 4.0KG MAX.
- WITHDRAWAL FORCE : 1-3.5KG.

BY	DATE	 <small>cables &amp; connectors since 1995</small>	PART NO
DRAWN JX	01/16/02		
CHK'D T.C.	01/22/02	<p style="font-size: 24pt; font-weight: bold;">1725</p>	SHEET
APPRV			
MATERIAL	SEE NOTES	UNITS	mm
FINISH	SEE NOTES	SCALE	NONE
		SHEET 1 OF 1	