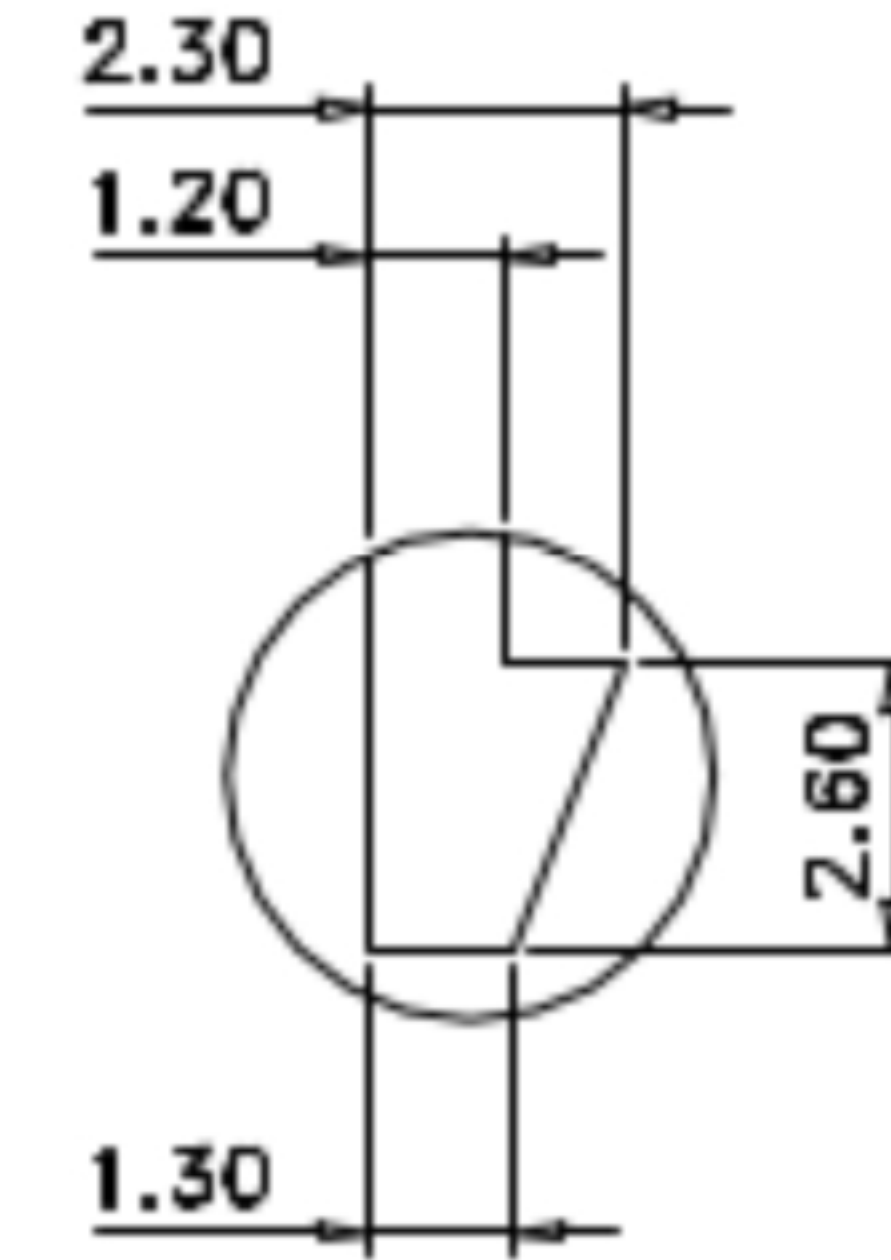
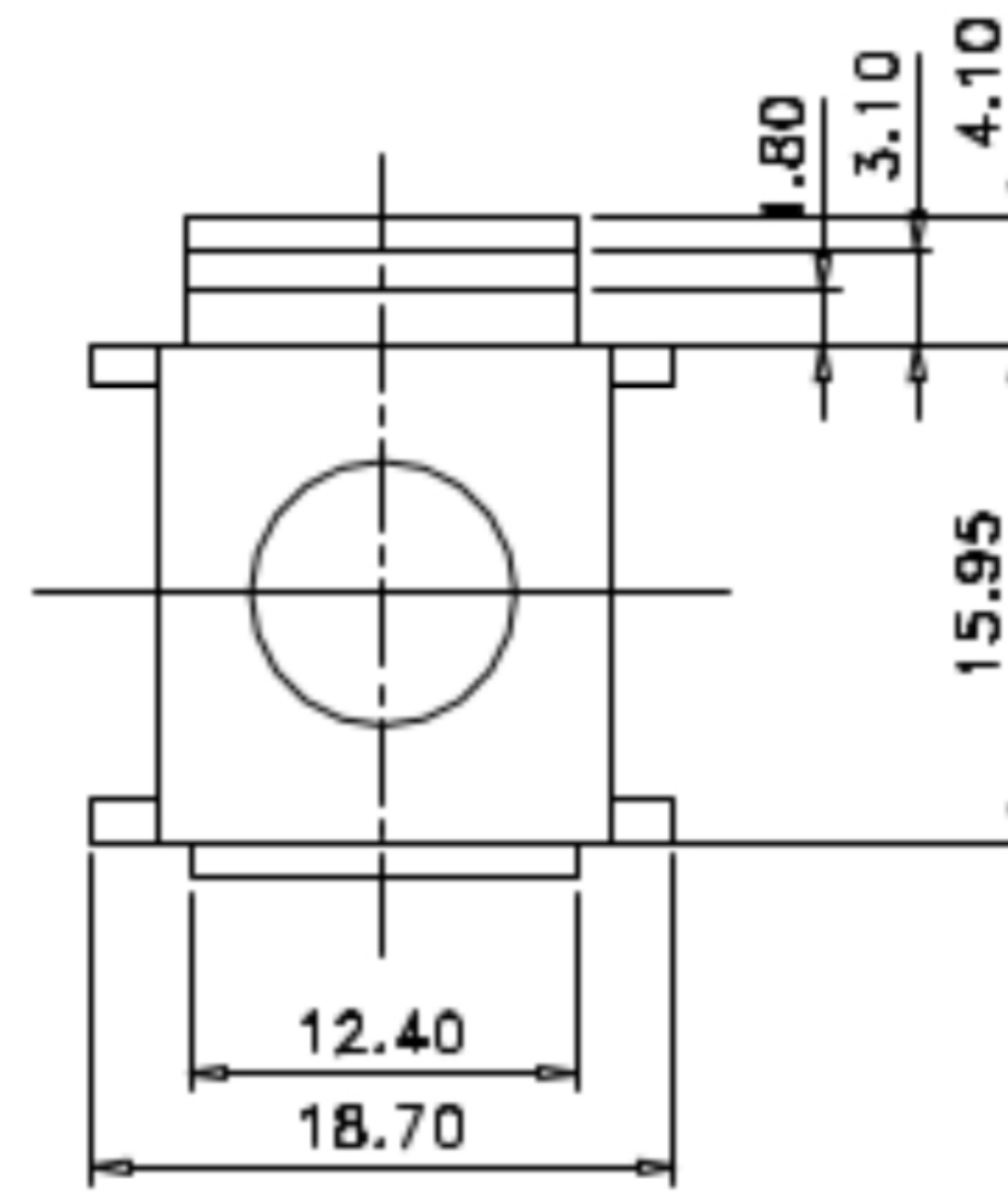
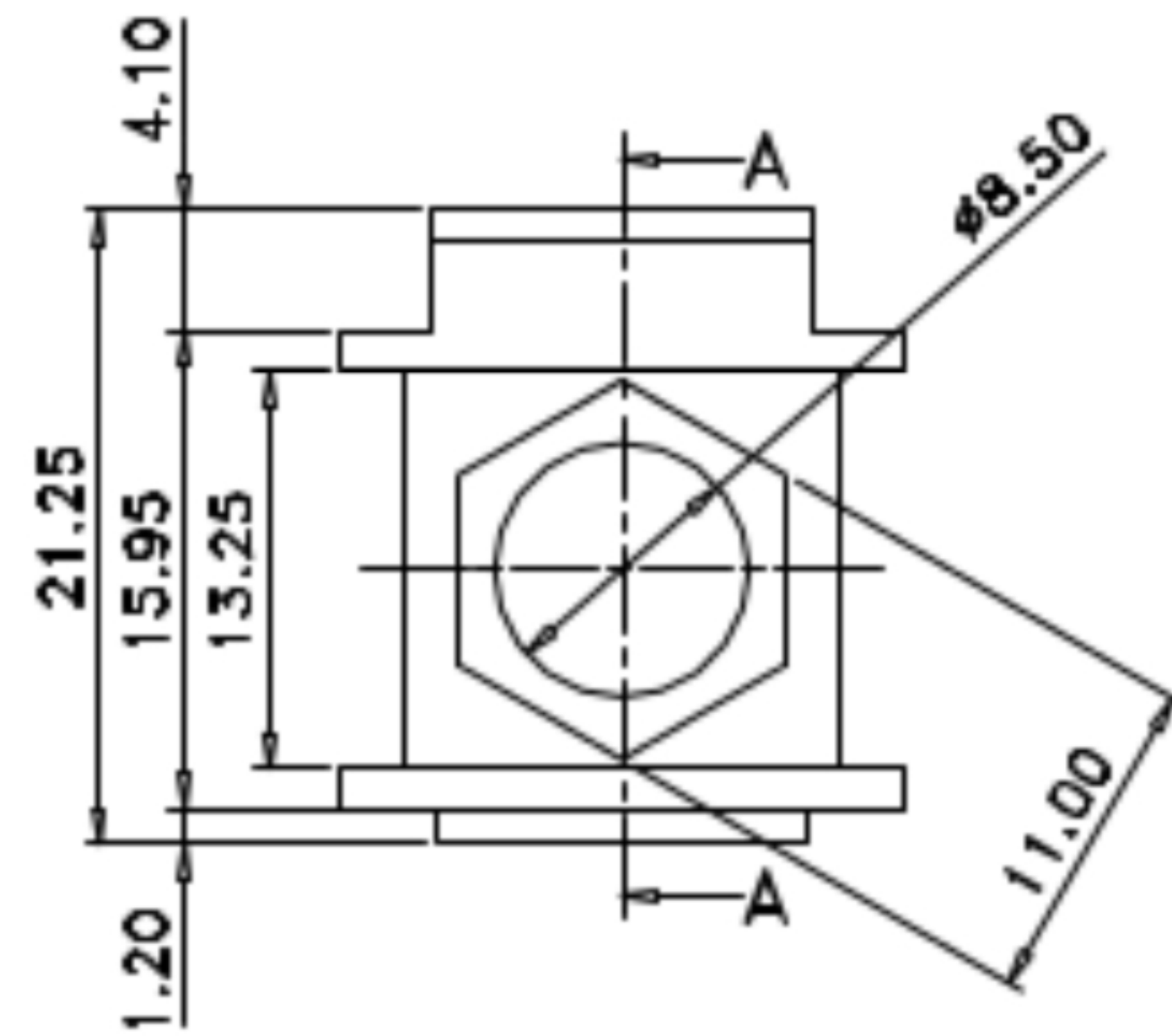


# Show Me

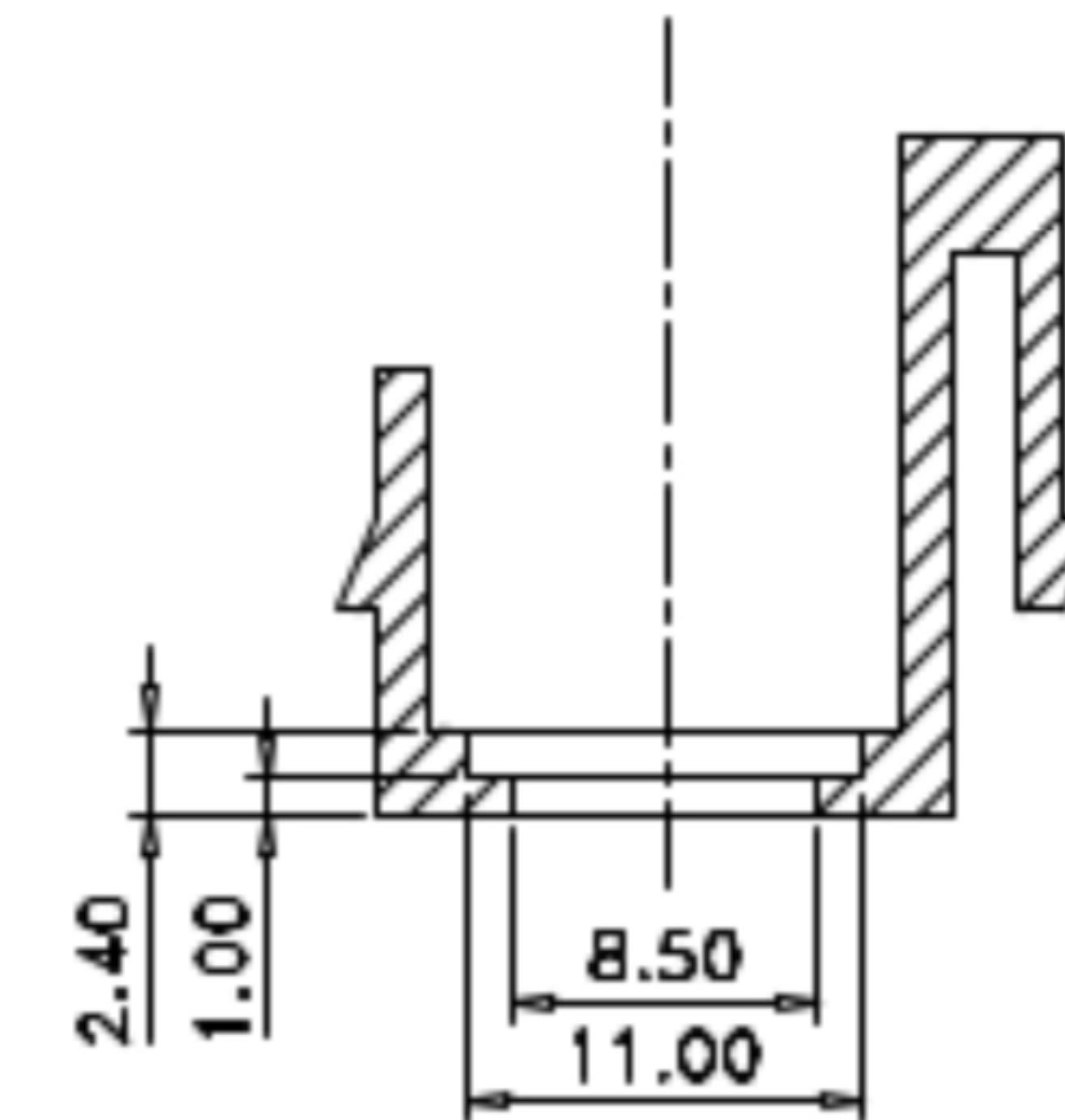
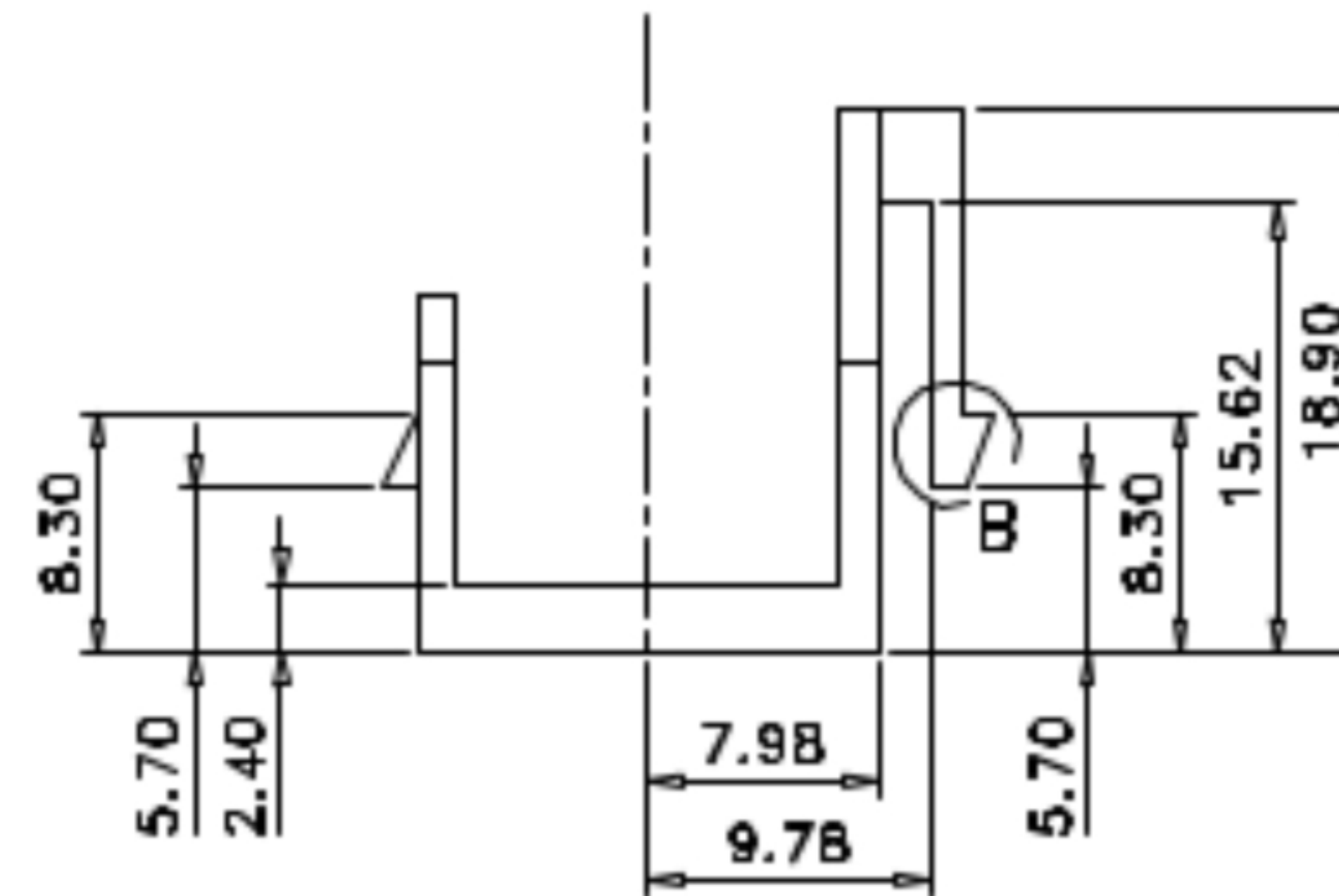
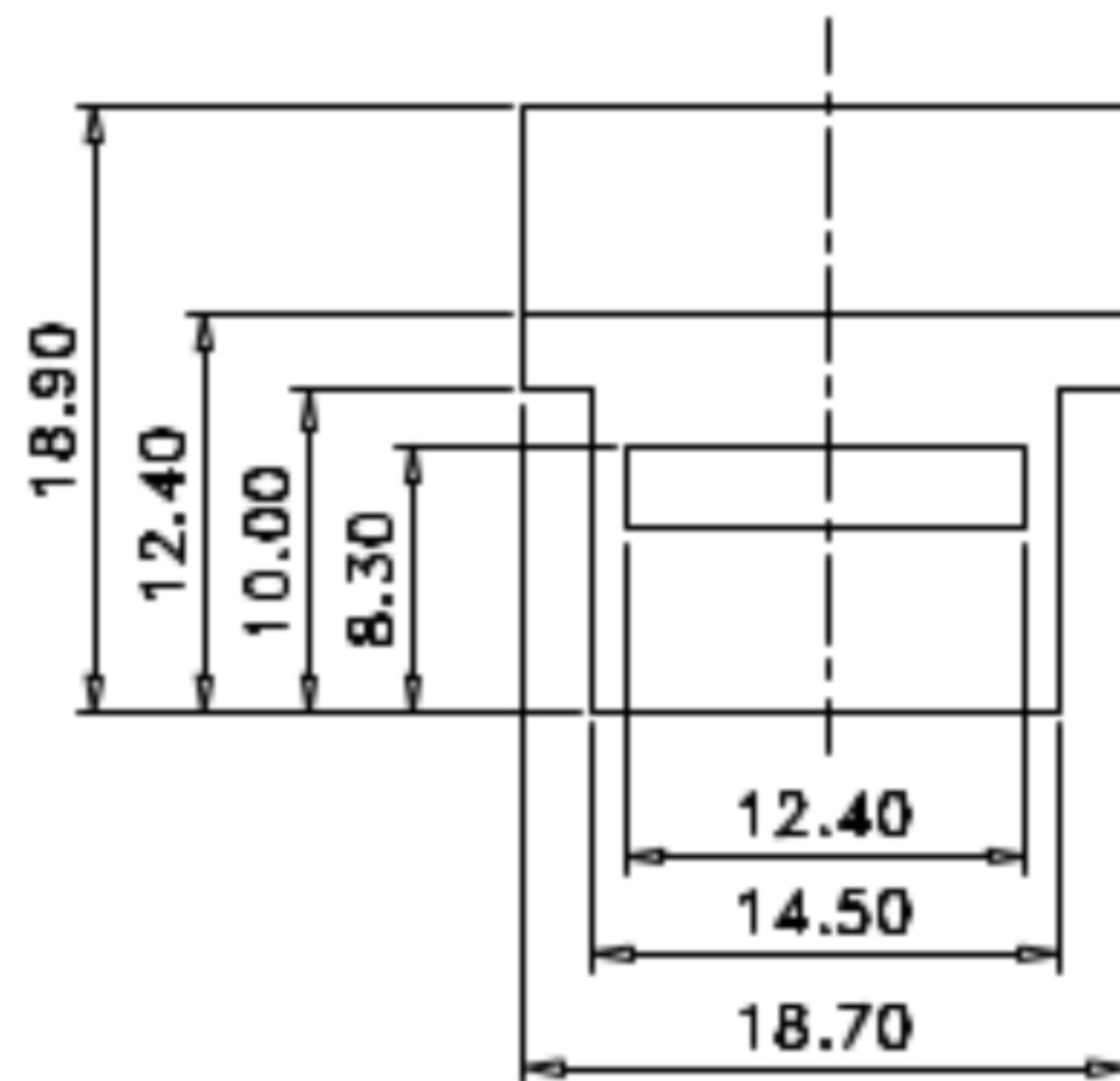
## CABLES

cables & connectors since 1995

REV.	DESCRIPTION	ENG.	APPROVAL



**DETAIL: B**  
SCALE=5:1



**SEC:A-A**

ITEM	Body Material	Body Color
310-417AL	ABS	Almond
310-417WH	ABS	White
310-417IV	ABS	Ivory

<p>THIS DRAWING AND THE SPECIFICATIONS ARE THE PROPERTY OF STEREN ELECTRONICS INTERNATIONAL, LLC, AND SHALL NOT BE COPIED OR USED IN ANY MANNER WITHOUT THE PRIOR WRITTEN PERMISSION FROM STEREN.</p> <table border="1"> <thead> <tr> <th>DIMENSIONS</th> <th>TOLERANCE</th> </tr> </thead> <tbody> <tr> <td>0 TO 25MM</td> <td>+/-0.10MM</td> </tr> <tr> <td>25 TO 100MM</td> <td>+/-0.12MM</td> </tr> <tr> <td>100 TO 200MM</td> <td>+/-0.15MM</td> </tr> <tr> <td>200MM AND UP</td> <td>+/-0.20MM</td> </tr> </tbody> </table> <p>UNLESS OTHERWISE SPECIFIED, DIMENSIONS ARE IN MILLIMETERS AND ANGULAR TOLERANCE IS +/- 1.0°</p>	DIMENSIONS	TOLERANCE	0 TO 25MM	+/-0.10MM	25 TO 100MM	+/-0.12MM	100 TO 200MM	+/-0.15MM	200MM AND UP	+/-0.20MM	SKU NO. 15-109-110	ShowMeCables.com
	DIMENSIONS	TOLERANCE										
	0 TO 25MM	+/-0.10MM										
	25 TO 100MM	+/-0.12MM										
100 TO 200MM	+/-0.15MM											
200MM AND UP	+/-0.20MM											
F-BLANK KEYSTONE MODULAR INSERT		SCALE										
DRAWING NO.												
DRN BY: L.WEEKS DATE: 2/14/04	CHK BY: Q.WENG DATE: 2/28/04	APPR. BY: Q.WENG DATE: 2/28/04										
FILE NAME		SHEET 1/1										