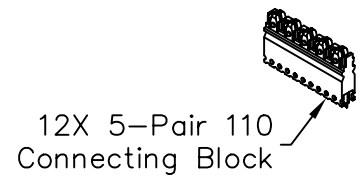
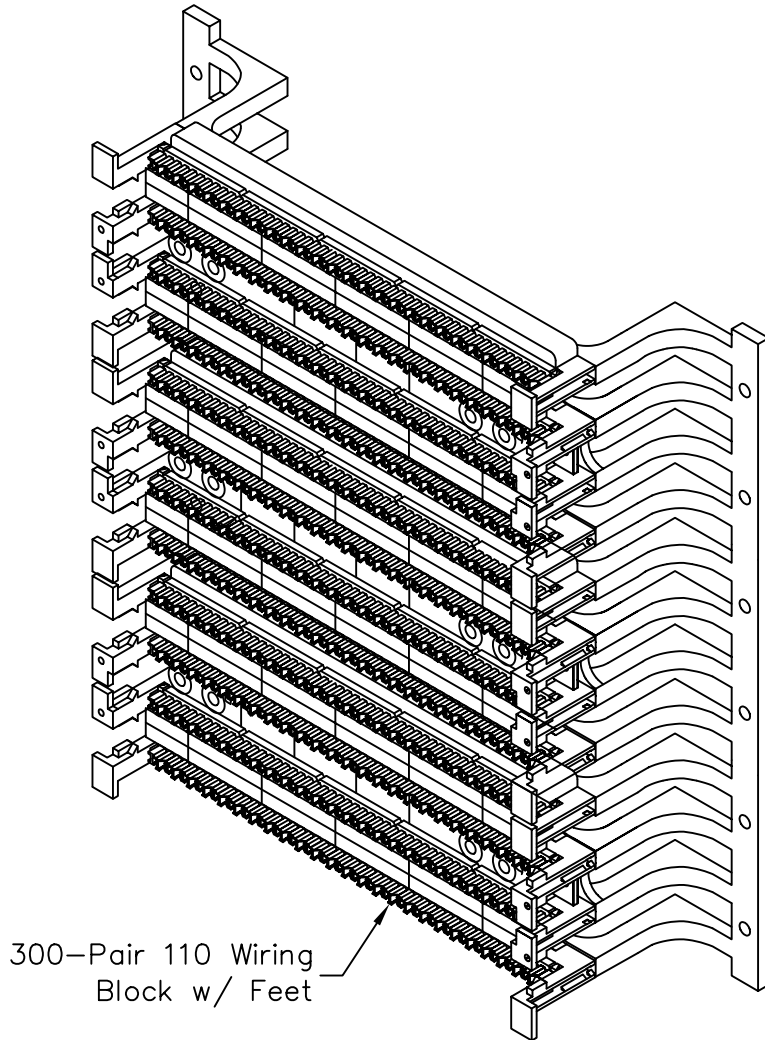


300-Pair 110 Wiring Block With Feet Kit

PRODUCT SPECIFICATION

Package includes:

- A. 300-Pair 110 Wiring Block w/ Feet, 1 pc
- B. 4-Pair 110 Connecting Block, 60 pcs
- C. 5-Pair 110 Connecting Block, 12 pcs
- D. Label Holder, 6 pcs
- E. Designation Label, 6 pcs



Features and Benefits:

- High density wall mounted cross connect system designed for voice and data applications
- Performance exceeds Category 5e connecting hardware requirements specified in TIA/EIA-568-B.2
- Easy system administration with designation labels and label holders
- Used with IC110 cable management blocks, ICACSPDT00 and ICACSPDT05 110 punch down tools
- UL Listed

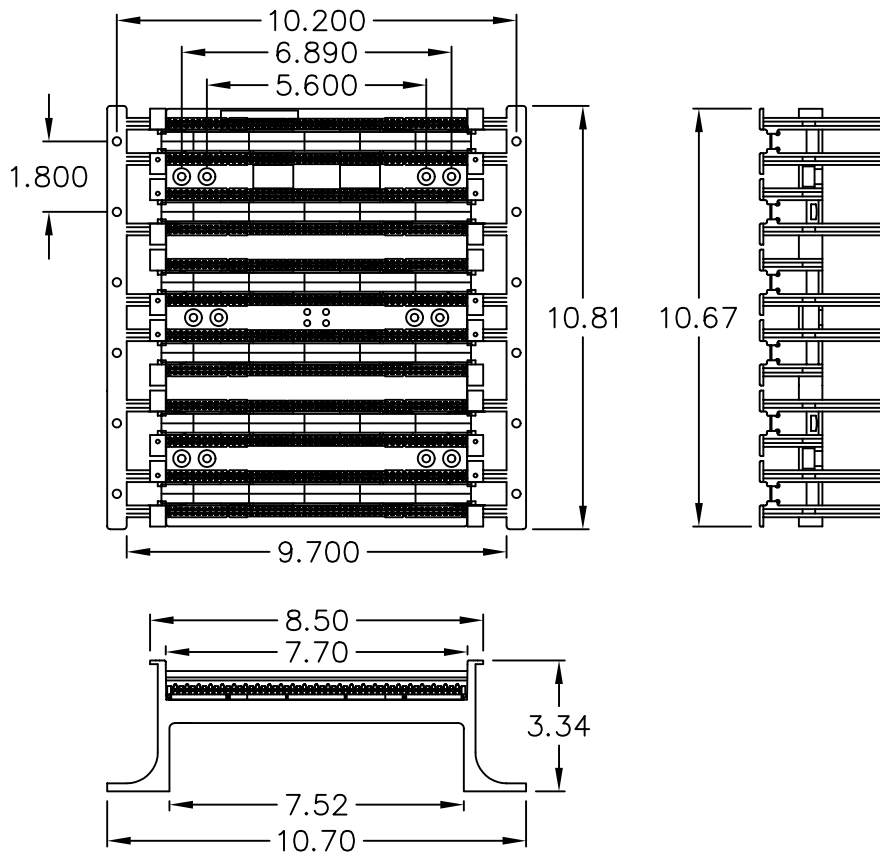
110 WIRING BLOCK W/ FEET KIT, 300-PAIR

ITEM NO.	IC110W3004
DWG NO.	PS110W3004

REV.	A
PAGE NO.	1

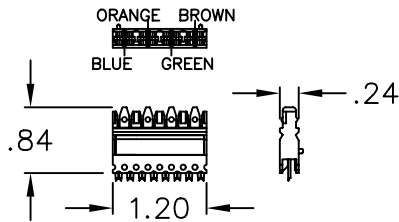


CUSTOMER CARE / TECHNICAL SUPPORT * CSR@ICC.COM / 888-ASK-4-ICC (275-4422) * 14700 Alondra Blvd., La Mirada, CA 90638 * www.icc.com



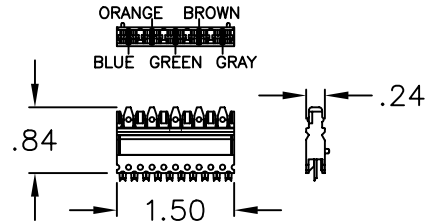
300-PAIR 110 WIRING BLOCK W/ FEET

- 1. MATERIAL: PC, UL 94V-0
- 2. COLOR: IVORY



4-PAIR 110 CONNECTING BLOCK

- 1. MATERIAL:
 - A. CONTACT: COPPER ALLOY, 100 MICRO INCHES BRIGHT SOLDER OVER 100 MICRO INCHES OF NICKEL UNDERPLATE
 - B. HOUSING: ABS, UL 94V-0



5-PAIR 110 CONNECTING BLOCK

- 1. MATERIAL:
 - A. CONTACT: COPPER ALLOY, 100 MICRO INCHES BRIGHT SOLDER OVER 100 MICRO INCHES OF NICKEL UNDERPLATE
 - B. HOUSING: ABS, UL 94V-0

CAT 5e CONNECTING HARDWARE REQUIREMENTS										
FREQUENCY (MHz)	1.0	4.0	8.0	10.0	16.0	20.0	25.0	31.25	62.5	100
NEXT LOSS (db)	65.0	65.0	64.9	63.0	58.9	57.0	55.0	53.1	47.1	43.0
FEXT LOSS (db)	75.1	63.1	57.0	55.1	51.0	49.1	47.1	45.2	39.2	35.1
RETURN LOSS (db)	35.0	35.0	35.0	35.0	35.0	34.0	32.0	30.1	24.1	20.0
INSERTION LOSS(db)	0.10	0.10	0.10	0.10	0.20	0.20	0.20	0.20	0.30	0.40

UL US FILE NO. 125268

110 WIRING BLOCK W/ FEET KIT, 300-PAIR

ITEM NO. IC110W3004
 DWG NO. PS110W3004

REV. A
 PAGE NO. 2



CUSTOMER CARE / TECHNICAL SUPPORT * CSR@ICC.COM / 888-ASK-4-ICC (275-4422) * 14700 Alondra Blvd., La Mirada, CA 90638 * www.icc.com