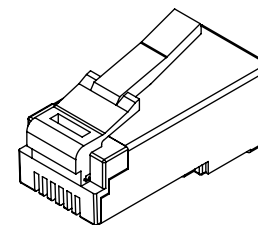
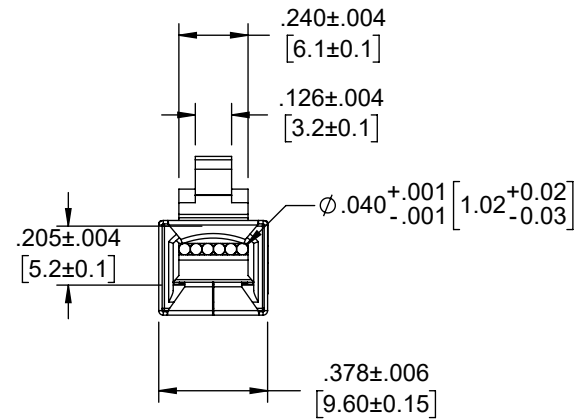
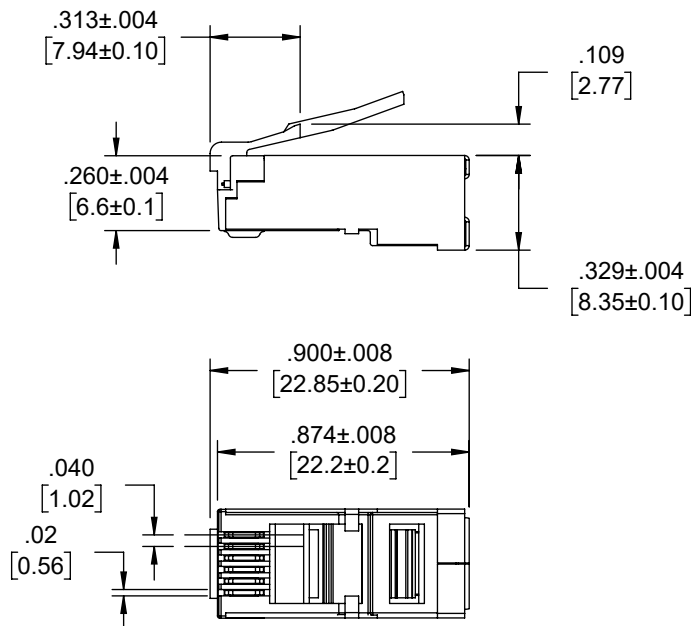


REVISION					
ZONE	REV	DESCRIPTION	DATE	CHANGED BY	APPROVED
	A	ECO-15696	04/02/2026	HBAKKE	DGUST



NOTES:

- MATERIAL:**
HOUSING: POLYCARBONATE, CLEAR
SHIELD: COPPER ALLOY
TERMINALS: .014 THICK PHOSPHOR BRONZE, PLATED WITH 50μ THICK GOLD IN LOCALIZED GOLD PLATE AREA, GOLD FLASH OVER THE REMAINDER, OVER .000100 THICK NICKEL UNDERPLATE.
- ALL DIMENSIONS SHOWN ARE MAXIMUM UNLESS OTHERWISE SPECIFIED.
- PLUG WILL ACCEPT .029-.039 DIAMETER STRANDED WIRE, 28-24 AWG, WITH A .210 DIAMETER MAXIMUM JACKET.
- TERMINATED DIMENSION .242 MAXIMUM.
- ELECTRICAL TEST:**
250V AC MAX. AT 2 AMPS
DIELECTRIC WITHSTANDING 500 VOLTS AC
INSULATION RESISTANCE: 500 MEGAOHMS
TERMINATION RESISTANCE: 35 MAX. AFTER ENVIRONMENTAL TEST
- MECHANICAL:**
CABLE-TO-PLUG TENSILE STRENGTH: 20LBS. (89N) MIN.
DURABILITY: 200 MATING CYCLES
OPERATING TEMPERATURE: -40°C TO +125°C

THE INFORMATION CONTAINED IN THIS DRAWING IS THE SOLE PROPERTY OF INFINITE ELECTRONICS, INC. ANY REPRODUCTION IN PART OR WHOLE WITHOUT THE WRITTEN PERMISSION OF INFINITE ELECTRONICS, INC. IS PROHIBITED. THESE COMMODITIES, TECHNOLOGY OR SOFTWARE WERE EXPORTED FROM THE UNITED STATES IN ACCORDANCE WITH THE EXPORT ADMINISTRATION REGULATIONS. DIVERSION CONTRARY TO U.S. LAW PROHIBITED.

UNLESS OTHERWISE SPECIFIED LEADING DIMENSIONS ARE INCHES DIMENSIONS IN [] ARE MILLIMETERS	
TOLERANCES:	
.X = ±.2 [5]	FRACTIONS ± 1/32
.XX = ±.02 [0.5]	ANGLES ± 1°
.XXX = ±.005 [0.13]	
CABLE LENGTH TOLERANCES:	
≤12 [305] = +1 [25] / -0	
>12 [305] ≤ 60 [1524] = +2 [51] / -0	
>60 [1524] ≤ 120 [3048] = +4 [102] / -0	
>120 [3048] ≤ 300 [7620] = +6 [152] / -0	
>300 [7620] = +5% / -0	
CABLE LENGTH TOL. IAW IPC A-620	
ALL DIMENSIONS ARE FOR REFERENCE ONLY AND SUBJECT TO CHANGE WITHOUT NOTICE UN-DIMENSIONED/NON-CRITICAL FEATURES MAY VARY IN SIZE AND LOCATION COLORS MAY VARY	

<p>an INFINIT® brand</p> <p>Website: www.ShowMeCables.com Phone: 1.888.519.9505</p>		<p>INTERPRET ALL DIMENSIONS AND TOLERANCES PER ASME Y14.5</p>	
		SCALE	SHEET
		NONE	1 OF 1
DESCRIPTION			
RJ12 SHIELDED MODULAR CONNECTOR - 6P6C- ROUND CABLE			
SIZE	CAGE CODE	DRAWN BY	ITEM NO.
A	3SVT8	HBAKKE	1099
			REV
			A